



Classic TBI 140 / 145

Air cooled

Uses same gasnozzles as TBI 150

Technical data

MIG/MAG (GMAW) Semi-automatic welding torch TBI 140 / 145

Rating at 60% duty cycle
(10 min. cycle)

- Mixed gas: 140 A
- CO₂: 160 A

Cooling method Air cooling

Wire diameter 0.6 - 1.0 mm

Gas flow 6 l/min

Technical specification according to IEC 60974-7

Weight with 1.5m cable 0.60 kg

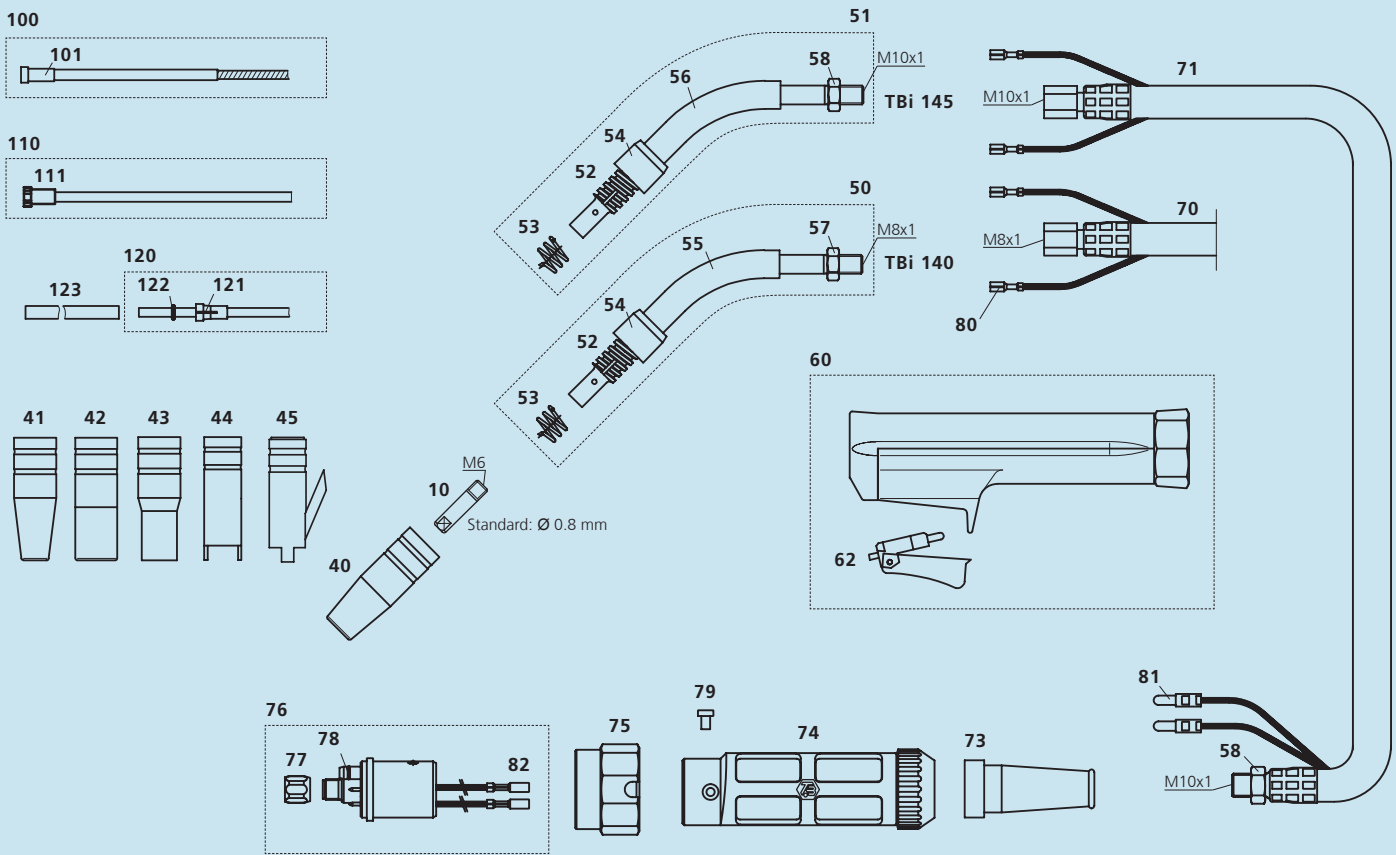
Connection Euro-Central connector
Other connectors (e.g. CLOOS®, ESAB®, Lincoln®) available upon request.

Torch rating will be reduced when using pulsed-arc power sources.
Special torch necks and custom lengths of the coaxial cable are available upon request.

Ordering Information

TBi 140	ESG, 45° bent	106P3113_0*
TBi 145	ESG, 45° bent	101P3113_0*

* At the blank, please insert 3, 4 or 5 for a torch length of 3, 4 or 5 m.



Pos. Description

Part. No.

Contact tips

▶ 10	Contact tip M6x25, Ecu	340P_1073*
10	Contact tip M6x25, CuCrZr	340P_3073*
10	Contact tip M6x25 Alu, Ecu	341P_1073*

Gas nozzles

▶ 40	Nozzle con. diam. 12.0 mm	345P012002
40	Nozzle con. diam. 12.0 mm long insul.	345P012402
41	Nozzle con. diam. 9.5 mm	345P013002
42	Nozzle cyl. diam. 16.0 mm	345P011002
42	Nozzle cyl. diam. 16.0 mm long insul.	345P011402
43	Nozzle bottle form diam. 12.5 mm	345P014002
44	Spot weld nozzle diam. 16.0 mm long insul.	345P015402
45	Nozzle for nails diam. 16 mm	345P015502

Spare parts

50	Torch neck TBi 140, 45°	106P001022
51	Torch neck TBi 145, 45°	101P001001
52	Nozzle support TBi 150 w/o spring	102P002037
53	Nozzle spring TBi 140/145/150	102P002011
54	Head insulator TBi 140/145/150	102P002003
55	Rubber hose 8x2.0 mm	310P082002
56	Rubber hose 10x2.0 mm	310P102102
57	Hex nut M8x1	106P002023
58	Hex nut M10x1	101P002005
60	Handle small, blue, cpl. (TBi 140)	380P212005
60	Handle small, blue, cpl. (TBi 145)	380P220001
62	Trigger, red, 2 poles	385P021016
70	PVC coaxial cable 14 sqmm (TBi 140)	359P1441_0*
71	PVC coaxial cable 14 sqmm (TBi 145)	359P1451_0*
73	Cable support 16-50 sqmm	600P002106

Pos. Description

Part. No.

74	Cable support cpl. (2 pieces)	701P001045
75	PVC adaptor nut	701P002081
76	Central adaptor ESG cpl., 2 poles, moveable pins	701P001048
77	Sleeve nut M10x1	701P002005
78	O-ring 4.0x1.0 mm (gas nipple)	365P100040
79	Slotted screw M4x6	100P008401
80	Cable lug, flat	375P000023
81	Insulated connector, male, round	375P000004
82	Insulated connector, female, round	375P000003

Wire guides

▶ 100	Liner w/ insulation white (x.40 m) for wire 0.6-0.9	324P1338_4*
100	Liner w/ insulation blue (x.40 m) for wire 0.8-1.0	324P1545_4*
101	Collet for liner 1.3x3.8 mm	330P015040
101	Collet for liners dia. 4.5 mm	330P025045
▶ 110	PE-Seele (x.10 m) for wire 0.6-0.9	328P1538_5*
111	Collet for PE-liner (ESG)	339P038401
120	Teflon liner blue (x.50 m) for wire 0.6-0.9	326P1540_5*
121	Collet for teflon and PA liner 2.0x4.0 mm	331P020040
122	O-ring 3.50x1.50 mm (teflon liner)	365P150035
123	Support tube 5x4.4 mm, L=150 mm	329P544150

▶ = Standard parts

* At the blank, please insert suitable information for torch length or wire diameter, e.g. 08 for 0.8 mm or 3 for 3 mm.

© 2009 TBI Industries GmbH. All rights reserved. Subject to change without notice. Warranty only when using original TBI consumables and spare parts. Excerpts and reprints not permitted. Nr. DOKP111102, 10/2009.

TBI Industries GmbH
Ruhberg 14
D-35463 Fernwald-Steinbach
P.O. Box 67
D-35461 Fernwald-Steinbach

Tel. + 49 6404 9171-0
Fax. + 49 6404 9171-40
Internet: www.tbi-industries.com
E-mail: info@tbi-industries.com