



## *Classic* TBI 240 (DR)

Air cooled

DR: changeable swivel neck

TBi-Flex rubber coaxial cable

### Technical data

#### MIG/MAG (GMAW) Semi-automatic welding torch TBI 240 / 240 DR

Rating at 60% duty cycle  
(10 min. cycle)

- Mixed gas: 235 A  
- CO<sub>2</sub>: 265 A

Cooling method Air cooling

Wire diameter 0.8 - 1.2 mm

Gas flow 12 l/min

Technical specification according to IEC 60974-7

Weight with 1.5 m cable 1.25 kg (TBI 240 DR: 1.55 kg)

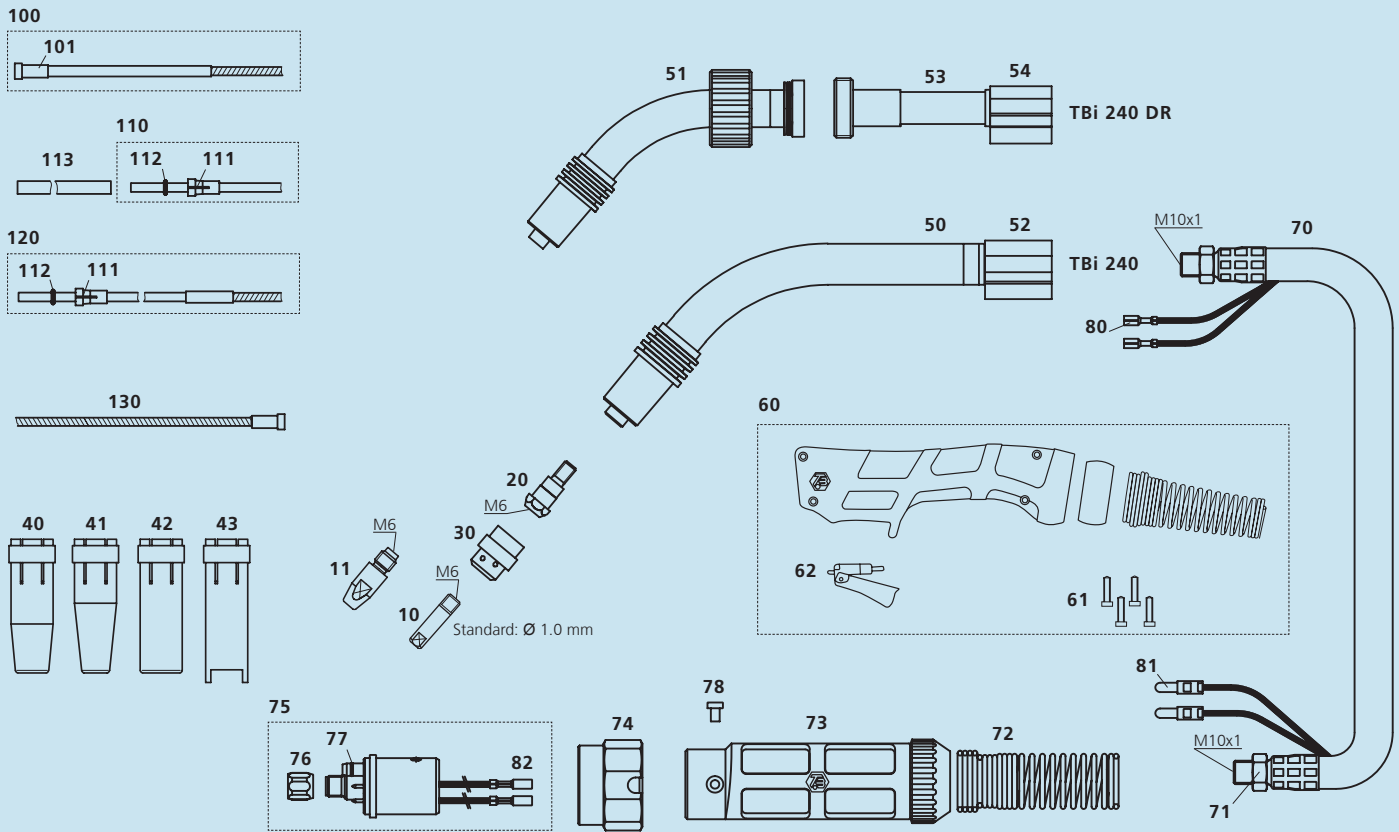
Connection Euro-Central connector  
Other connectors (e.g. CLOOS®, ESAB®, Lincoln®) available upon request.

Torch rating will be reduced when using pulsed-arc power sources.  
Special torch necks and custom lengths of the coaxial cable are available upon request.

### Ordering Information

TBi 240	ESG, 50° bent	112P3413_0*
TBi 240 DR	ESG, 45° bent	112P3413_D*

\* At the blank, please insert 3, 4 or 5 for a torch length of 3, 4 or 5 m.



Pos. Description

Part. No.

#### Contact tips

▶ 10	<b>Contact tip M6x25, Ecu</b>	<b>340P_1073*</b>
10	Contact tip M6x25, CuCrZr	340P_3073*
10	Contact tip M6x25 Alu, Ecu	341P_1073*
11	Contact tip M6x28, Ecu	340P_1069*
11	Contact tip M6x28, CuCrZr	340P_3069*
11	Contact tip M6x28 Alu, Ecu	341P_1069*

#### Tip holders

▶ 20	<b>Tip holder M6 / L=26 mm</b>	<b>342P006012</b>
------	--------------------------------	-------------------

#### Gas diffusors

▶ 30	<b>Gas diffusor, red</b>	<b>112P002019</b>
30	Gas diffusor, ceramic	112P002021
30	Gas diffusor, white	112P102019
30	Gas diffusor, brown	112P002022

#### Gas nozzles

▶ 40	<b>Nozzle con. diam. 12.5 mm</b>	<b>345P012012</b>
40	Nozzle con. diam. 12.5 mm HD	345P012312
41	Nozzle con. diam. 10.0 mm	345P013012
42	Nozzle cyl. diam. 17.0 mm	345P011012
42	Nozzle cyl. diam. 17.0 mm HD	345P011312
43	Spot weld nozzle diam. 17.0 mm	345P015012

#### Spare parts

50	Torch neck TBi 240, 50°	112P001013
51	Torch neck TBi 240 DR (swivel), 45°	112P001024
52	PVC body	600P002018

Pos. Description

Part. No.

53	Support for DR necks	600P101045
54	PVC body	600P002017
60	Handle blue, aircooled, cpl. kit	380P220400
61	Cross recessed screw M 3.5x14	100P008413
62	Trigger, red, 2 poles	385P021016
70	TBi-Flex coaxial cable 25 sqmm	360P2511_0*
71	Hex nut M10x1	101P002005
72	Spring support small 16-50 sqmm	600P102099
73	Cable support cpl. (2 pieces)	701P001045
74	Adaptor nut	701P001013
75	Central adaptor ESG cpl., 2 poles, moveable pins	701P001048
76	Sleeve nut M10x1	701P002005
77	O-ring 4.0x1.0 mm (gas nipple)	365P100040
78	Slotted screw M4x6	100P008401
80	Cable lug, flat	375P000023
81	Insulated connector, male, round	375P000004
82	Insulated connector, female, round	375P000003

#### Wire guides

100	Liner w/ insulation blue (x.40 m) for wire 0.8-1.0	324P1545_4*
▶ 100	<b>Liner w/ insulation red (x.40 m) for wire 1.0-1.2</b>	<b>324P2045_4*</b>
101	Collet for liners dia. 4.5 mm	330P025045
110	Teflon liner blue (x.50 m) for wire 0.6-0.9	326P1540_5*
110	Teflon liner red (x.50 m) for wire 1.0-1.2	326P2040_5*
111	Collet for teflon and PA liner 2.0x4.0 mm	331P020040
112	O-ring 3.50x1.50 mm (teflon liner)	365P150035
113	Support tube 5x4.4 mm, L=150 mm	329P544150
120	PA-Alu wire guide (x.50 m) for wire 1.0-1.2	328P2040_A*
130	Liner for TBI DR Torch necks	322P204005

▶ = Standard parts

\* At the blank, please insert suitable information for torch length or wire diameter, e.g. 08 for 0.8 mm or 3 for 3 mm.

© 2009 TBI Industries GmbH. All rights reserved. Subject to change without notice. Warranty only when using original TBI consumables and spare parts. Excerpts and reprints not permitted. Nr. DOKP111122, 10/2009.

TBI Industries GmbH  
Ruhberg 14  
D-35463 Fernwald-Steinbach  
P.O. Box 67  
D-35461 Fernwald-Steinbach

Tel. + 49 6404 9171-0  
Fax. + 49 6404 9171-40  
Internet: [www.tbi-industries.com](http://www.tbi-industries.com)  
E-mail: [info@tbi-industries.com](mailto:info@tbi-industries.com)