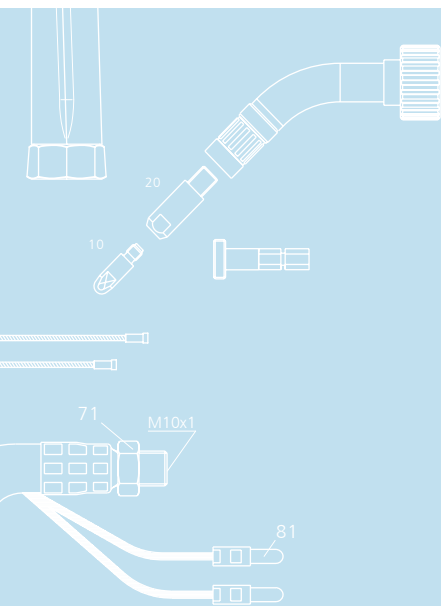




## Top 2000 TBi 3G (DR)



Aircooled

Very lightweight torch with aluminum neck

DR: changeable swivel neck

### Technical data

#### MIG/MAG (GMAW) Semi-automatic welding torch TBi 3G/3G DR

Rating at 60% duty cycle  
(10 min. cycle)

- Mixed gas: 225 A (DR: 200 A)  
- CO<sub>2</sub>: 250 A (DR: 225 A)

Cooling method Aircooling

Wire diameter 0.8 - 1.2 mm

Gas flow 8 l/min

Technical specification according to IEC 60974-7

Weight with 1.5m cable 0.90 kg (TBi 3G DR: 1.20 kg)

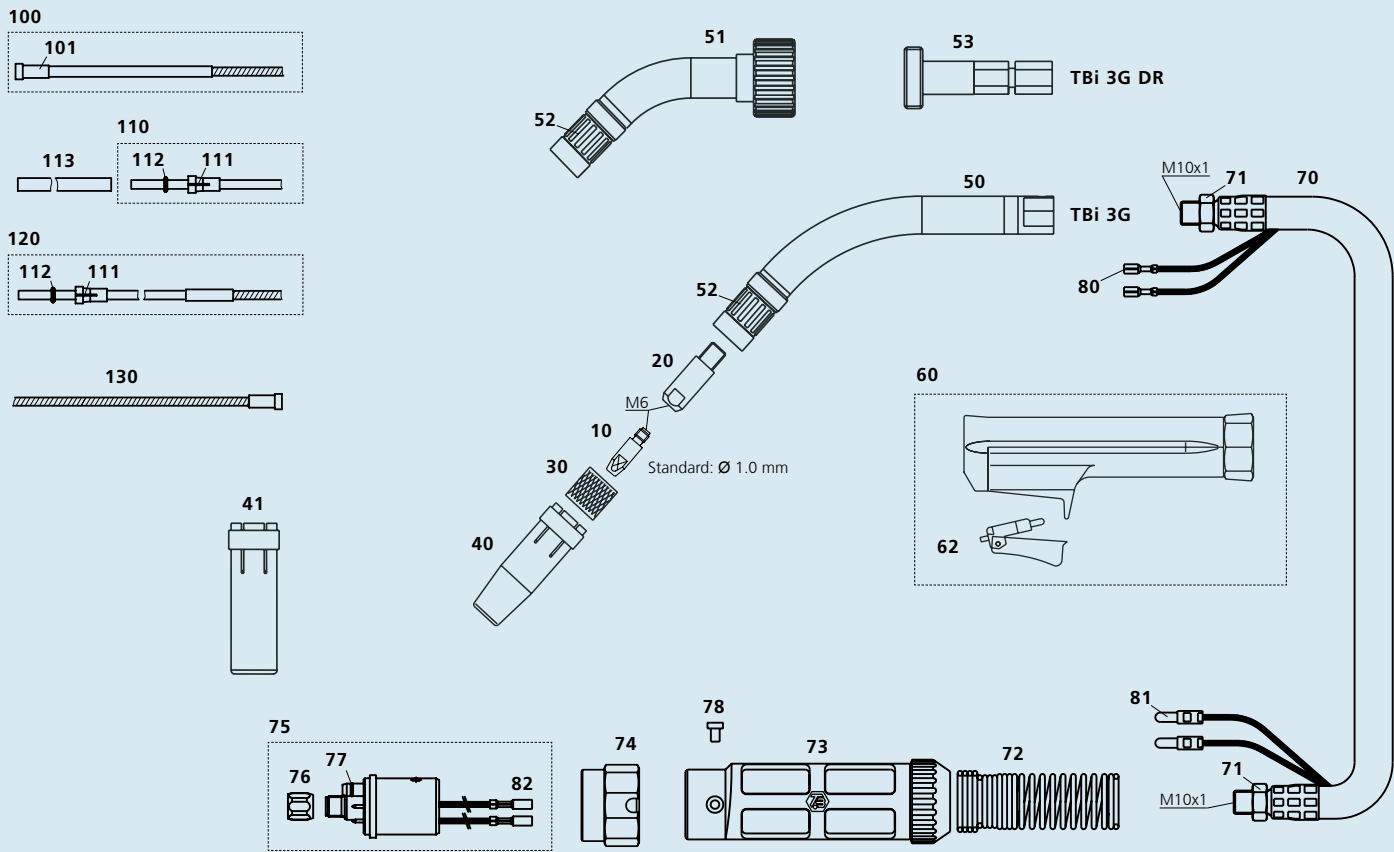
Connection Euro-Central connector  
Other connectors (e.g. Cloos®, ESAB®) available upon request.

### Ordering Information

TBi 3G	ESG, 50° bent	117P3113_0*
TBi 3G DR	ESG, 45° bent	117P3113_D*

\* At the blank, please insert 3, 4 or 5 for a torch length of 3, 4 or 5m.

Torch rating will be reduced when using pulsed-arc power sources. Special torch necks and custom lengths of the coaxial cable are available upon request.



Pos. Description

Part. No.

#### Contact tips

▶ 10	Contact tip M6x28, Ecu	340P_1069*
10	Contact tip M6x28, CuCrZr	340P_3069*
10	Contact tip M6x28 Alu, Ecu	341P_1069*

#### Tip holders

▶ 20	Tip holder M6 / L=37 mm, CuCrZr	342P006117
------	---------------------------------	------------

#### Nozzle insulators

▶ 30	Nozzle insulator	346P012117
------	------------------	------------

#### Gas nozzles

▶ 40	Nozzle con. diam. 12.5 mm, cpl. with insulator	345P012117
41	Nozzle cyl. diam. 17.0 mm, cpl. with insulator	345P011117

#### Spare parts

50	Torch neck TBI 3G, 50°	117P101001
51	Torch neck TBI 3G DR, 45°	117P101010
52	Clamping ring	110P102016
53	Support for DR neck (3G)	110P102014
60	Handle small, blue, cpl. (3G DR)	380P220002
60	Handle small, blue, cpl. (3G)	380P220003
62	Trigger, red, 2 poles	385P021016
70	TBI-Flex coaxial cable 25 sqmm	360P2511_0*
71	Hex nut M10x1	101P002005
72	Spring support small 16-50 sqmm	600P102099
73	Cable support cpl. (2 pieces)	701P001045
74	PVC adaptor nut	701P002081
75	Central adaptor ESG cpl., 2 poles, moveable pins	701P001048
76	Sleeve nut M10x1	701P002005
77	O-ring 4.0x1.0 mm (gas nipple)	365P100040
78	Slotted screw M4x6	100P008401
80	Cable lug, flat	375P000023

Pos. Description

Part. No.

81	Insulated connector, male, round	375P000004
82	Insulated connector, female, round	375P000003

#### Wire guides

100	Liner w/ insulation blue (x.40 m) for wire 0.8-1.0	324P1545_4*
▶ 100	Liner w/ insulation red (x.40 m) for wire 1.0-1.2	324P2045_4*
101	Collet for liners dia. 4.5 mm	330P025045
110	Teflon liner blue (x.50 m) for wire 0.6-0.9	326P1540_5*
110	Teflon liner red (x.50 m) for wire 1.0-1.2	326P2040_5*
111	Collet for teflon and PA liner 2.0x4.0 mm	331P020040
112	O-ring 3.50x1.50 mm (teflon liner)	365P150035
113	Support tube 5x4.4 mm, L=150 mm	329P544150
120	PA-Alu wire guide (x.50 m) for wire 1.0-1.2	328P2040_A*
130	Liner for TBI DR Torch necks	322P204005

▶ = Standard equipment

\* At the blank, please insert suitable information for torch length or wire diameter, e.g. 08 for 0.8 mm or 3 for 3 mm.

© 2006 TBI Industries GmbH. All rights reserved. Subject to change without notice. Warranty only when using original TBI consumables and spare parts. Excerpts and reprints not permitted. Nr. DOKP112102, 03/2006.

TBI Industries GmbH  
Ruhberg 14  
D-35463 Fernwald-Steinbach  
P.O. Box 67  
D-35461 Fernwald-Steinbach

Tel. + 49 6404 9171-0  
Fax. + 49 6404 9171-40  
Internet: [www.tbi-industries.com](http://www.tbi-industries.com)  
E-mail: [info@tbi-industries.com](mailto:info@tbi-industries.com)