



TBi KS-2 Safety-off mechanism

High precision automatic reset

Compact design, long life

Very simple installation

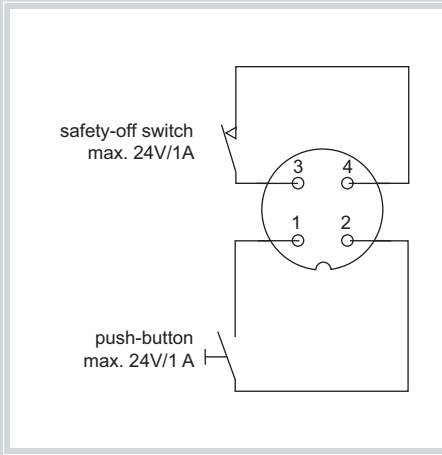
Technical data

Available models	KS-2-TIG	KS-2-MIG	KS-2-TD
Max. deflection	10°		
Release torque on transverse axis (Mx, My)	approx. 15 Nm	approx. 19 Nm	approx. 26 Nm
Recommended tool weight	approx. 1 – 3 kg	approx. 2 – 3 kg	approx. 3 – 6 kg
Robot interface	directly compatible with flange DIN ISO 9409-1-A40		
Function	fully mechanical, spring supported		
Repeatability	± 0.03 mm, at 300 mm distance to the flange		
Features	- 1 push-button for individual use (wire run-in) - insulation flange integrated		
Weight	approx. 0.85 kg		

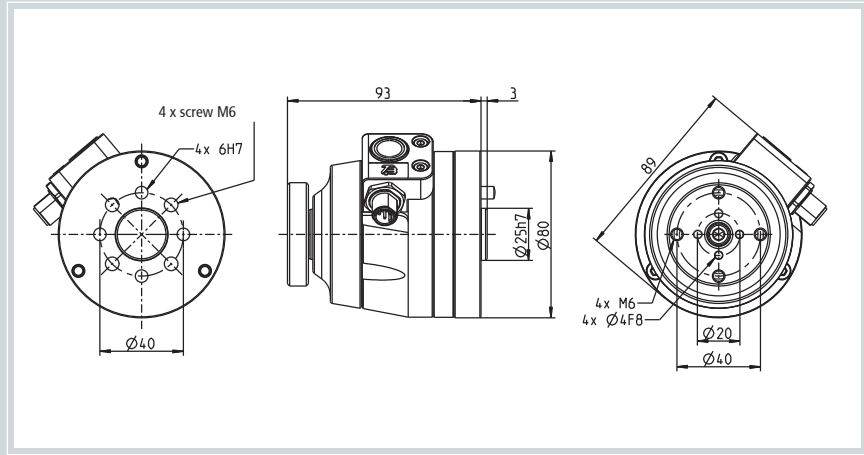
Ordering information

TBi KS-2-MIG (Standard)	536P001000
TBi KS-2-TIG	536P001011
TBi KS-2-TD	536P001012

Electrical connection



Dimensions TBi KS-2 safety-off mechanism



The TBi KS-2 is used as a collision sensor in connection with TBi robot welding torches (MIG/MAG, TIG, Plasma). The operating limits are given by the tool weight, the tool's center of gravity in relation to the mounting flange and the maximum acceleration of the robot. For adaptation to the actual tool weight, 3 different models of the KS-2 are available.

Applications

The safety-off mechanism TBi KS-2 has been developed to reliably protect the robot and the torch system in case of a collision. It is outstanding in regard to its large elastic deflection combined with the best repeatability.

In order to be able to quickly continue production without set up or adjustment tasks after a collision, we generally recommend using this device.

Compatibility with robots

The insulation flange is directly compatible to all robots with tool flange according to DIN ISO 9409-1-A40.

We are also able to supply intermediate flanges for other robots. Ask us about it!

Product	Models with tool flange according to DIN ISO 9409-1-A40
ABB	IRB 1400, IRB 1410, IRB 1500, IRB 1600, IRB 2000, IRB 2165, IRB 2400 L
Comau	Smart SiX
Fanuc	Arc Mate 100iB, Arc Mate 120iB, Arc Mate 120iB/10L, Arc Mate 120iL, M-6iB, M16iB/10L, M-16iB/20, M-710iC/20L
Kawasaki	FA06E, FA06L, FA06N, FC06L, FC06N, FS06L, FS06N, FA10C, FA10N, FC10C, FC10N, FS10C, FS10N, FS10X
Kuka	KR 5 arc, KR 6 arc, KR 16 L6-2
Motoman	MH6, UP6, UP20, UP20-6, HP6, HP20, SK6, SK16
OTC Daihen	AX83, V01, MV6, MV6L, MV16, Almega AX-V6, All-V6 (A2-V6)
Adapter flanges for all other robots on request.	

Accessories

Extension flange TBi KS-2

536P001008

for achieving the same installation length as with TBi KS-1 (e.g. for retrofitting existing systems without reprogramming)