



Classic TBi 240 E3

Air cooled

Same consumables as TBi 240

Slip-on fume shroud

Technical data

MIG/MAG semi-automatic fume extraction welding torch TBi 240 E3

Rating at 60% duty cycle
(10 min. cycle)

- Mixed gas: 220 A
- CO₂: 250 A

Cooling method air cooling

Wire diameter 0.8 - 1.2 mm

Gas flow 12 l/min

Technical specification according to IEC 60974-7

Weight with 1.5m cable 1.40 kg

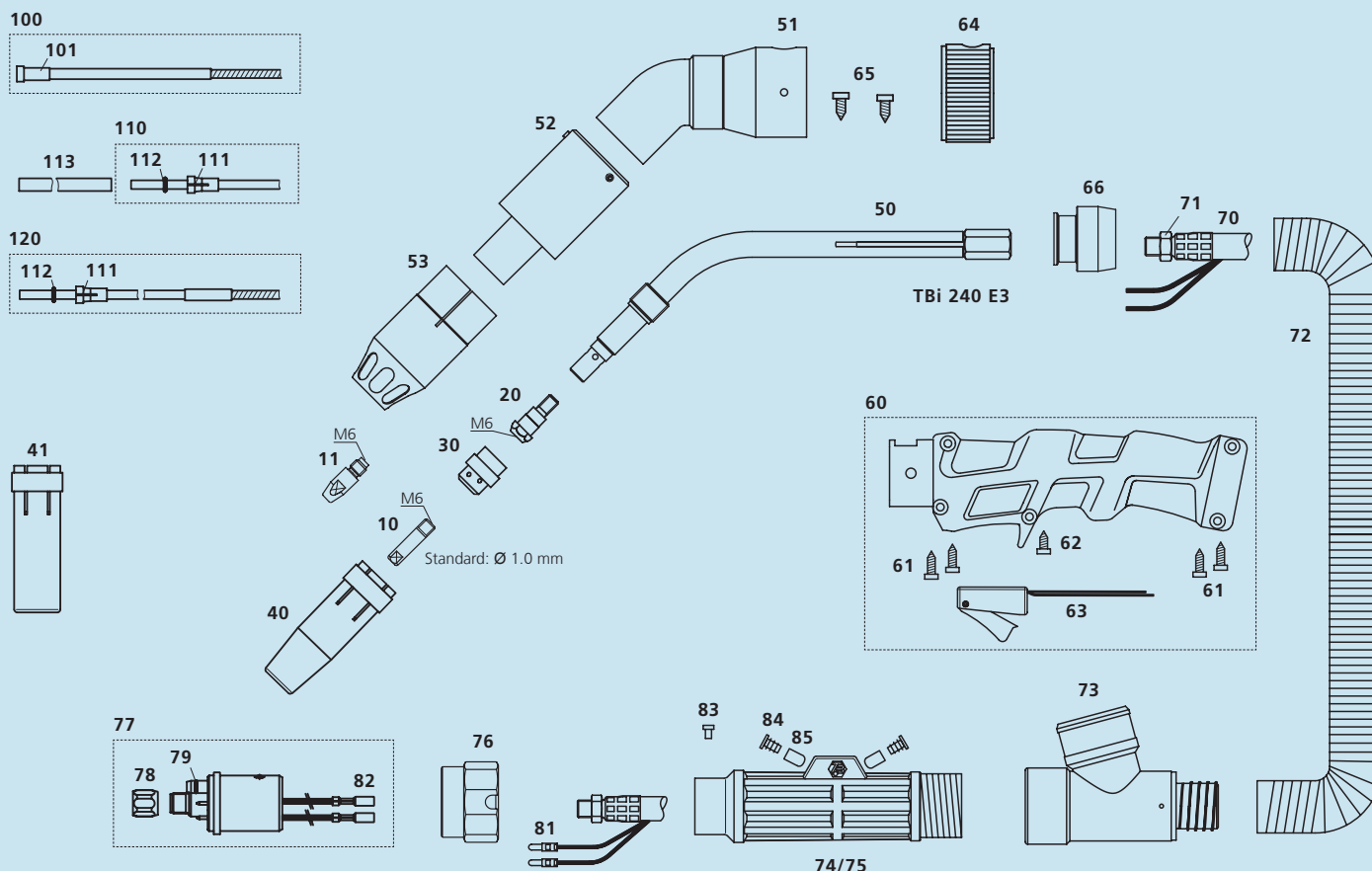
Connection Euro-Central connector
other connectors are available
upon request.

Torch rating will be reduced when using pulsed-arc power sources.
Custom lengths of the cable assembly are available upon request.

Ordering Information

TBi 240 E3 ESG, 50° bent 212P3X13_0*

* At the blank, please insert 3, 4 or 5 for a torch length of 3, 4 or 5 m.



Pos.	Description	Part. No.	Pos.	Description	Part. No.
Contact tips					
▶ 10	Contact tip M6x25, Ecu	340P_1073*	65	Screw for air regulator	100P797103
10	Contact tip M6x25, CuCrZr	340P_3073*	66	Handle fitting for 29 mm fume hose	252P102026
10	Contact tip M6x25 Alu, Ecu	341P_1073*	70	Coaxial cable TBi ProFlex M	361P0M111_0*
11	Contact tip M6x28, Ecu	340P_1069*	71	Hex nut M10x1	101P002005
11	Contact tip M6x28, CuCrZr	340P_3069*	72	Fume extraction hose D=29 mm	306P293600
11	Contact tip M6x28 Alu, Ecu	341P_1069*	73	T-joint cpl. for 29 mm fume hose	200P101013
Tip holders					
▶ 20	Tip holder M6 / L=26 mm	342P006012	74	Cable support housing (only with pos. 75)	701P102070
Gas diffusers					
▶ 30	Gas diffuser, red	112P002019	75	Cable support cover (only with pos. 74)	701P102071
30	Gasverteiler, black	112P002024	76	Adaptor nut	701P001013
30	Gas diffusor, ceramic	112P002021	77	Central adaptor ESG cpl., 2 poles, moveable pins	701P001048
Gas nozzles					
▶ 40	Nozzle conical diam. 12.5 mm	345P012012	78	Sleeve nut M10x1	701P002005
41	Nozzle cylindrical diam. 17 mm	345P011012	79	O-ring 4.0x1.0 mm (gas nipple)	365P100040
Spare parts					
50	Torch neck TBi 240 E3	212P001004	81	Insulated connector, male, round	375P000004
51	Outer tube TBi 240/241/5G/5W E3	223P001010	82	Insulated connector, female, round	375P000003
52	Nozzle support TBi 240 E3/241 E3	223P001013	83	Slotted screw M4x6	100P008401
53	Fume shroud TBi 240/241/5G/5W E3	212P001001	84	Square cap	200P102006
60	Handle cpl., blue, housed micro switch, TBi E2/E3	380P220606	85	Cap for water connector	395P000004
61	Self-cutting screw 3.5x14.0 mm	100P797101	Wire guides		
62	Self-cutting screw, short, TBi E3	100P008411	100	Liner w/ insulation blue (x.40 m) for wire 0.8-1.0	324P1545_4*
63	Micro switch, housed, cpl.	600P101046	▶ 100	Liner w/ insulation red (x.40 m) for wire 1.0-1.2	324P2045_4*
64	Air regulator large	200P102001	101	Collet for liners diam. 4.5 mm	330P025045
			110	PTFE-liner blue (x.50 m) for wire 0.6-0.9	326P1540_5*
			110	PTFE-liner red (x.50 m) for wire 1.0-1.2	326P2040_5*
			111	Collet for liners 4.0 mm	331P020040
			112	O-ring 3.50x1.50 mm (for liner)	365P150035
			113	Support tube 5x4.4 mm, L=150 mm	329P544150
			120	PA-Alu wire guide (x.50 m) for wire 0.8-1.0	328P2040_A*

▶ = Standard equipment

* At the blank, please insert suitable information for torch length or wire diameter, e.g. 08 for 0.8 mm or 3 for 3 m.

© 2017 TBI Industries GmbH. All rights reserved. Subject to change without notice. Warranty only when using original TBI consumables and spare parts. Excerpts and reprints not permitted. Nr. DOKP113512, 10/2017.

TBI Industries GmbH
Ruhberg 14
D-35463 Fernwald-Steinbach
P.O. Box 67
D-35461 Fernwald-Steinbach

Tel. + 49 6404 9171-0
Fax. + 49 6404 9171-40
Internet: www.tbi-industries.com
E-mail: info@tbi-industries.com