

■ **Desired operation**

- Non-binding inquiry
- Order

■ **Your comments**

---



---



---

■ **Your contact details**

Company \_\_\_\_\_

Customer number \_\_\_\_\_

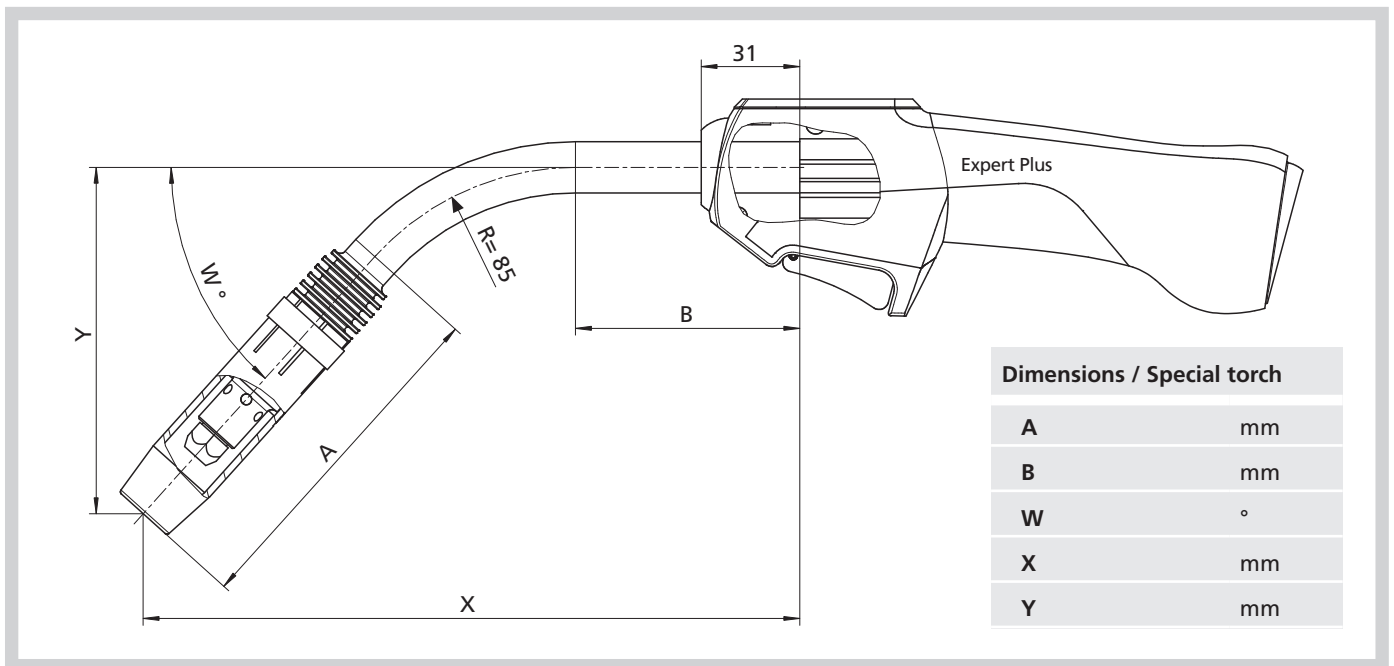
Project (optional) \_\_\_\_\_

Contact for queries \_\_\_\_\_

Phone / E-mail \_\_\_\_\_

Signature \_\_\_\_\_

■ **Dimensions**



■ **Torch**

Torch model  
\_\_\_\_\_

- cpl. welding torch Expert Plus
- Torch neck only

■ **Application**

Wire diameter  
\_\_\_\_\_ mm

Wire material  
\_\_\_\_\_

■ **Cable assembly**

- 3 m
- 4 m
- 5 m
- Special length  
\_\_\_\_\_ m

■ **Connector**

- Euro
- \_\_\_\_\_

■ **Radius**

- R = 85 mm (Standard)
- R = 60 mm



If you need help answering any of the questions, our sales team welcomes you to get in touch.

**Attention: No return of special designs!**