

■ **Desired operation**

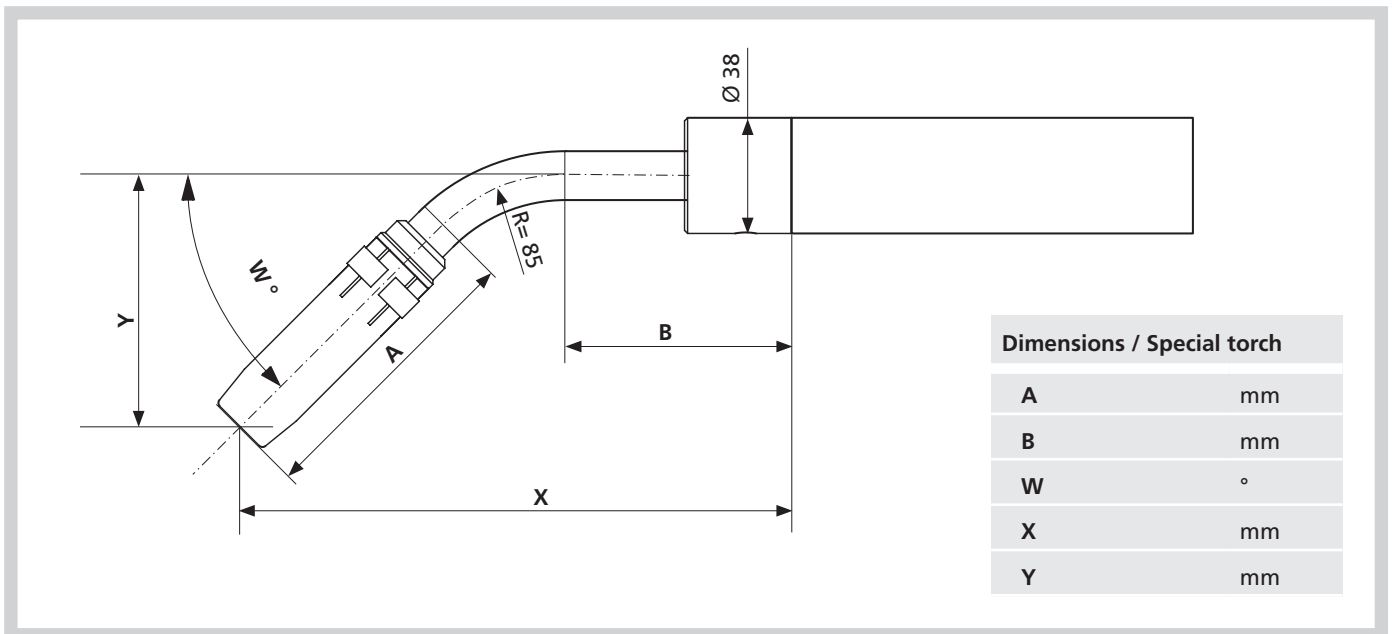
- Non-binding inquiry
- Order

■ **Your comments**

■ **Your contact details**

<hr/> Company	<hr/> Customer number	<hr/> Project (optional)
<hr/> Contact for queries	<hr/> Phone / E-mail	<hr/> Signature

■ **Dimensions**



■ **Torch**

Torch model

- cpl. welding torch
- Torch neck only

■ **Application**

Wire diameter
_____ mm

Wire material

■ **Cable assembly**

- 3 m
- 4 m
- 5 m
- Special length
_____ m

■ **Connector**

- Euro
- _____

■ **Radius**

- R = 85 mm (Standard)
- R = 60 mm



If you need help answering any of the questions, our sales team welcomes you to get in touch.

Attention: No return of special designs!