

TBi RT 502 TIG Robot welding torch

Highest performance – Simple operation

- Reliable cooling of the tungsten electrode and efficient current transfer due to the newly developed electrode clamping system
- Optimized gas shielding
- Reproducible positioning of the tungsten electrode with the optional adjustment tool
- Torch can be installed in two different positions for easy adaptation to the welding task

Technical data

TBi RT 502 TIG Robot welding torch

Rating / Duty cycle 100%
(10 min. cycle)

- AC	400 A
- DC	500 A

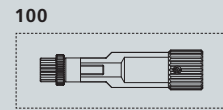
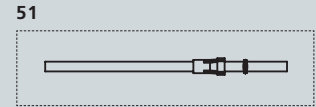
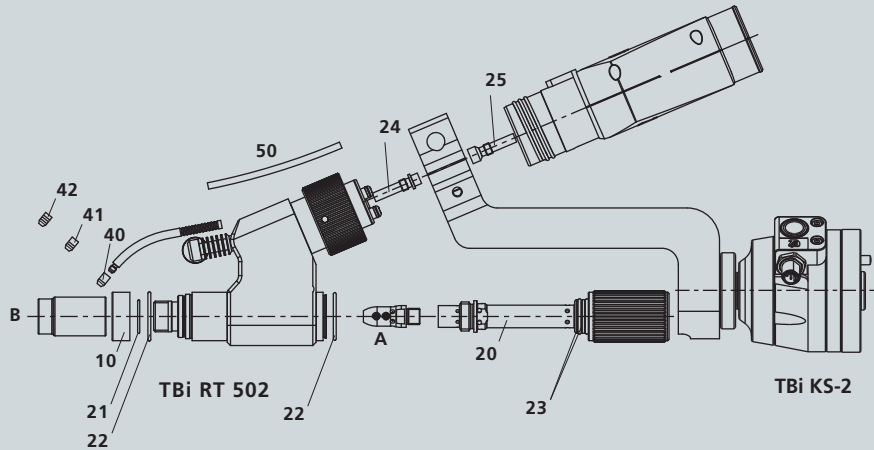
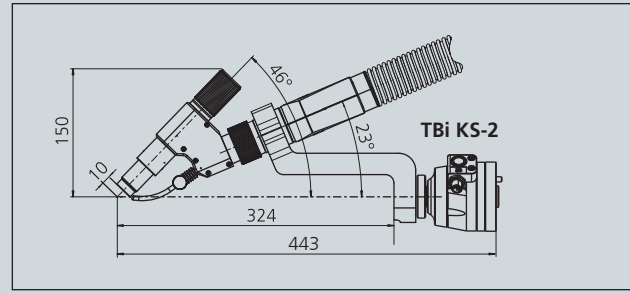
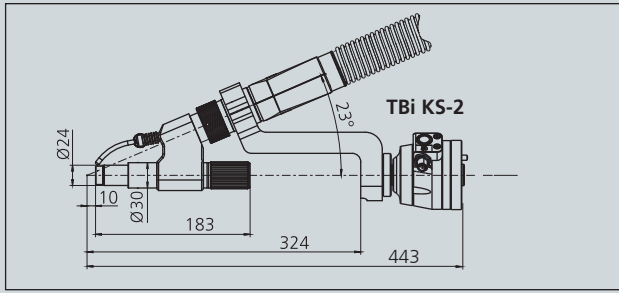
Electrode diameter	1.6 - 6.4 mm
Cold wire guide	for wire \varnothing 0.8 – 1.2 mm
Cooling method	water cooled
Technical specification	according to IEC 60974-7

Ordering information

Torch TBi RT 502 Guide nozzles (pos. 40, 41, 42) for wire 0.8, 1.0 and 1.2 mm included in delivery, please order needed electrode clamp (A) and gas nozzle (B) separately.	471P101003
Torch mount 23°	536P101603
TBi KS-2-TIG Safety-off mechanism	536P001011
Cable assembly, Euro-central connector, incl. PA-liner	471P0105_ _*

* At the blank, please insert suitable information for the length of the cable, e.g. 12 for 1.2 m.

Dimensions



Pos. Description

Part no.

Pos. Description

Part no.

Spare parts

10	Insulator, ceramic	491P102116
20	Electrode holder RT 502	471P101019
21	O-ring	365P000001
22	O-ring	365P240150
23	O-ring	365P200180
24	Guide nipple torch	471P102011
25	Guide nipple cable	471P102015
40	Guide nozzle, 0.8 mm (1 groove)	481P102067
41	Guide nozzle, 1.0 mm (2 grooves)	481P102018
42	Guide nozzle, 1.2 mm (3 grooves)	481P102068

50	PA-liner (L = 86 mm) for wire 0.8 - 1.2 mm	471P102060
51	PA-liner cpl. (4.50 m) for wire 0.8 - 1.2 mm	328P204045

Accessories

100	Adjustment tool for electrode	491P101020
—	Adjustable stop for setup tool, needed for long gas nozzles (76 mm)	491P102063
—	Hex wrench 2.5 mm	391P000036

Consumables

	Ø 1.6 mm Ø 1/16"	Ø 2.4 mm Ø 3/32"	Ø 3.2 mm Ø 1/8"	Ø 4.0 mm Ø 5/32"	Ø 4.8 mm Ø 3/16"	Ø 6.4 mm Ø 1/4"
A Electrode clamp	491P102120	491P102121	491P102122	491P102123	491P102124	491P102125
	No. 4 Ø 6.5 mm Ø 1/4"	No. 5 Ø 8.0 mm Ø 5/16"	No. 6 Ø 9.5 mm Ø 3/8"	No. 7 Ø 11 mm Ø 7/16"	No. 8 Ø 12.5 mm Ø 1/2"	No. 11 Ø 17.5 mm Ø 11/16"
B Ceramic gas nozzle Standard, L=42mm	54N18 401P222200	54N17 401P222201	54N16 401P222202	54N15 401P222203	54N14 401P222204	54N19 401P222206

© 2015 TBi Industries GmbH. All rights reserved. Subject to change without notice. Warranty only when using original TBi consumables and spare parts. Excerpts and reprints not permitted.
Nr. DOKP143032, 07/2015.

TBi Industries GmbH
Ruhberg 14
D-35463 Fernwald-Steinbach
P.O. Box 67
D-35461 Fernwald-Steinbach

Tel. + 49 6404 9171-0
Fax. + 49 6404 9171-40
Internet: www.tbi-industries.com
E-mail: info@tbi-industries.com