

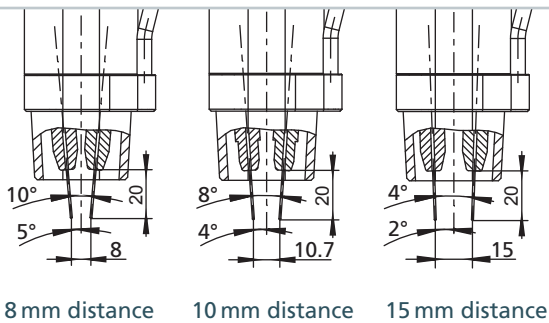
## TBi TD 20/22F-V2 MIG/MAG Tandem Welding Torch

Efficient 3-circuit water cooling system

Attractively priced consumables

High TCP precision

**Distance between wire electrodes**



### Technical data

#### Tandem welding torch TBi TD 20/22F-V2

Rating at 100% duty cycle (10 min. cycle)  
- Mixed gas: 2 x 550 A

Cooling method 3-circuit water cooling

Wire diameter 0.8 – 1.6 mm

Gas flow 30 l/min

Blow-out function max. 10 bar, protective gas channel separated by check valve

Weight (without cables) approx. 1.8 kg

Technical specification according to IEC 60974-7

Torch rating will be reduced when using pulsed-arc power sources. For heavy-duty use of the torch, it is highly recommended to use 3 separate water coolers, or a refrigerator unit.

### Ordering information (complete torches)

Standard parts for wire diameter 1.2 mm are included.  
If other parts are needed, please order additionally.

8 mm distance between wire electrodes

10 mm distance between wire electrodes

15 mm distance between wire electrodes

Connection Euro, 0° bent

TBi TD 20F8-V2 - 042P5805\_\_\*

TBi TD 20F10-V2 - 042P3805\_\_\*

TBi TD 20F15-V2 - 042P7805\_\_\*

Connection Euro, 22° bent

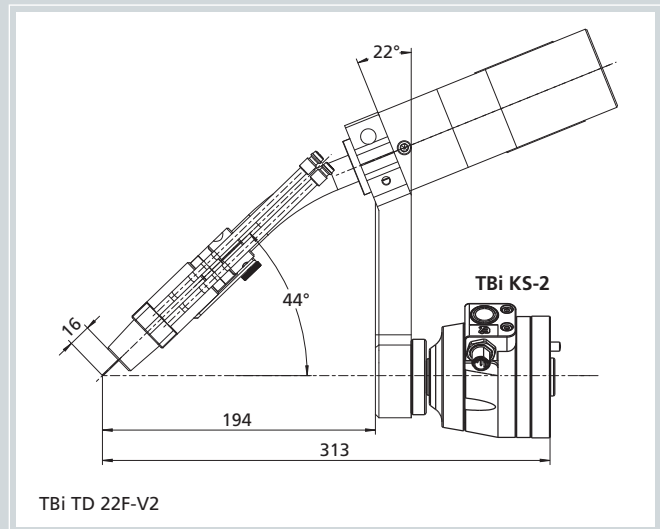
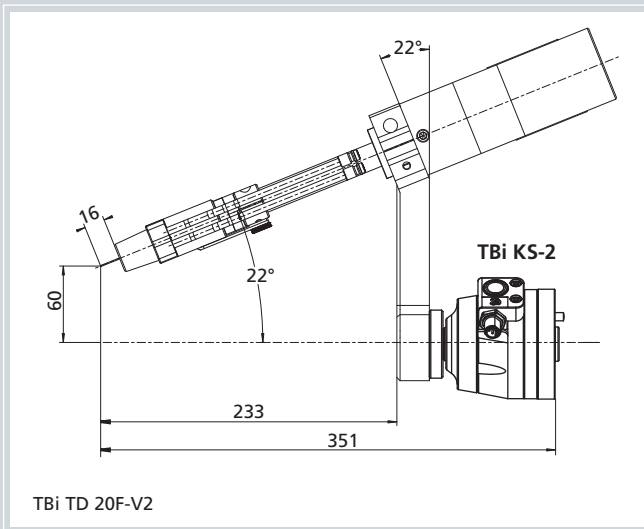
TBi TD 22F8-V2 - 042P6805\_\_\*

TBi TD 22F10-V2 - 042P4805\_\_\*

TBi TD 22F15-V2 - 042P8805\_\_\*

\* At the blank, please insert the required cable length in decimeters, e.g. 12 for 1.2 m length.

## Torch mounts



Torch mount 22° bent, incl. screws

536P101700

TBI KS-2-TD Safety-off mechanism complete

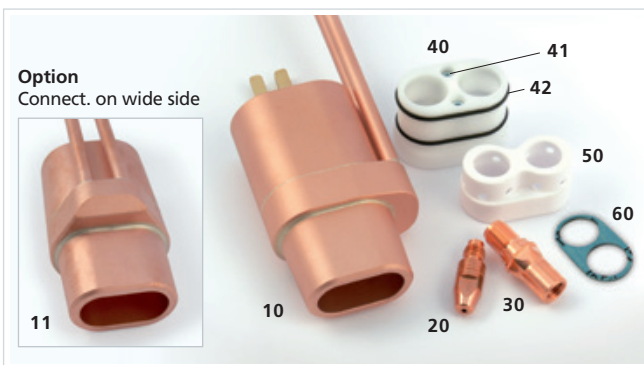
536P001012

TBI KS-2 extension flange

536P001008

The extension flange increases the length of the KS-2 by 21 mm, in order to reach the same length as KS-1 or FL-1.

## Consumables



Pos. Description

Part. No.

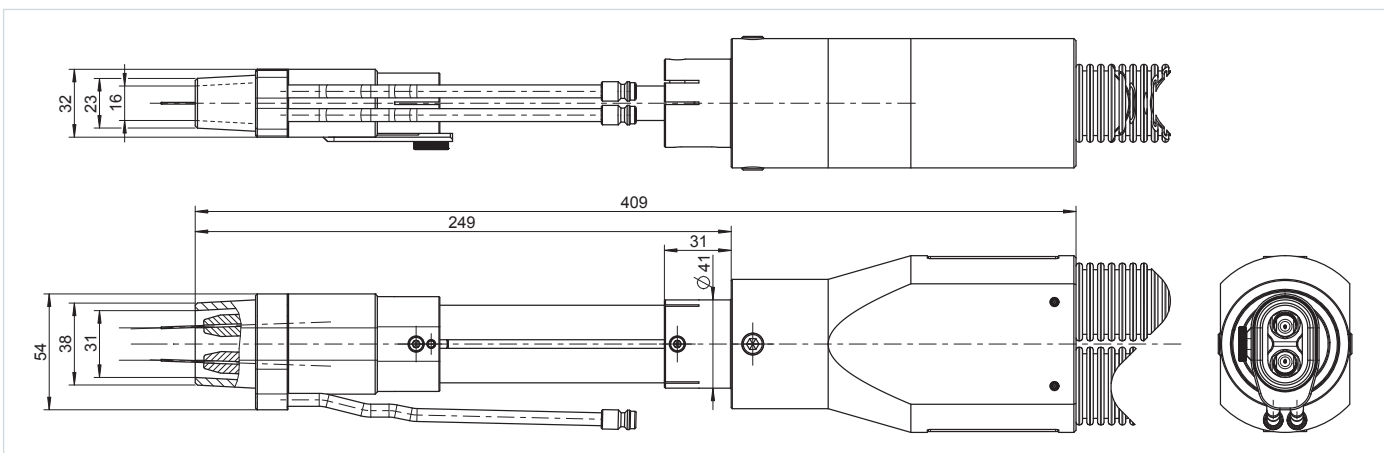
### Consumables and spare parts

Pos.	Description	Part. No.
▶ 10	Gas nozzle, NW 23x38, connect. narrow side	042P101033
11	Gas nozzle, NW 23x38, connection on wide side	042P101039
20	Contact tip M8x30, CuCrZr	343P_3262*
30	Tip holder M8, L=34, CuCrZr	342P008042
40	Insulator for gas nozzle**	042P102113
41	Cylinder head screw M3x22	109P091248
42	O-ring 30.00x2.00	365P020030
50	Spatter Protector ceramic for F8	346P014442
50	Spatter Protector for F10, F15	346P014342
60	Insulating washer	042P102110

### Wire Guides

-	Liner w/ insulation blue, 3.4 m, for wire 0.8-1.0	324PB00234
▶ -	<b>Liner w/ insulation red, 3.4 m, for wire 1.0-1.2</b>	<b>324PC00234</b>
-	Liner w/ insulation yellow, 3.4 m, for wire 1.2-1.6	324PD00234

## Dimensions



▶ = Standard equipment

\* At the blank, please insert suitable information for wire diameter or wire guide length, e.g. 08 for 0.8 mm or 3 for 3 m.

\*\* Delivery without O-Ring and Cylinder head screw.

© 2017 TBI Industries GmbH. All rights reserved. Subject to change without notice. Excerpts and reprints not permitted. Nr. DOKP142032, 11/2017.

TBI Industries GmbH  
Ruhberg 14  
D-35463 Fernwald-Steinbach  
P.O. Box 67  
D-35461 Fernwald-Steinbach

Tel. + 49 6404 9171-0  
Fax. + 49 6404 9171-58  
Internet: www.tbi-industries.com  
E-mail: info@tbi-industries.com