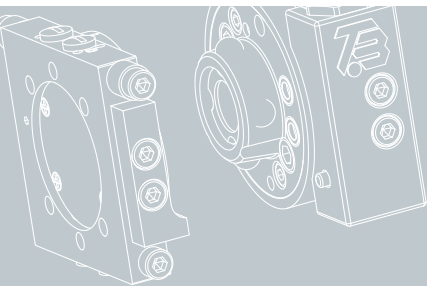




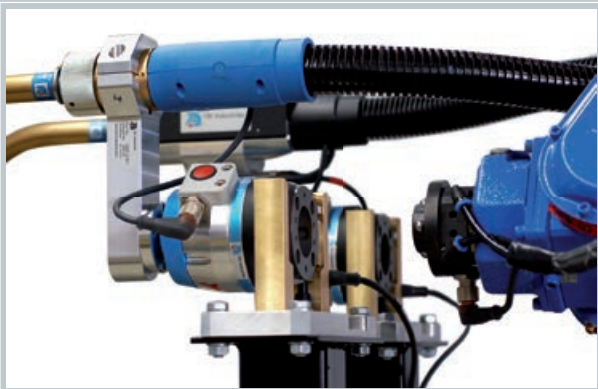
## TBi ToolChanger Automatic tool changing system



Complete solution for automatic tool exchange

Switch between different welding processes on one robot

Preparation/finishing of the work piece with different tools



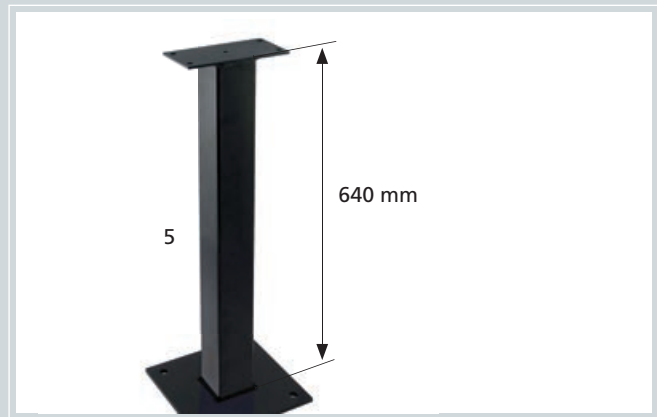
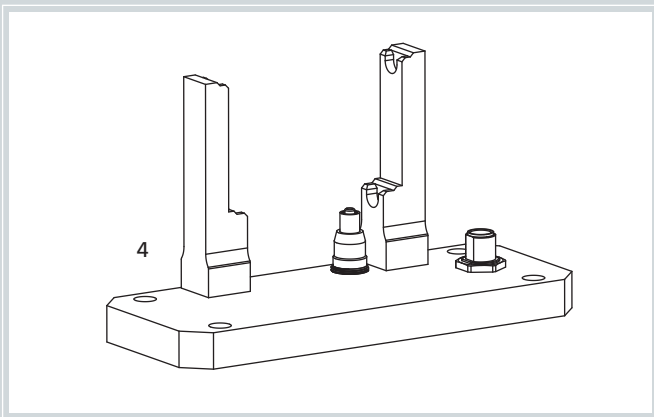
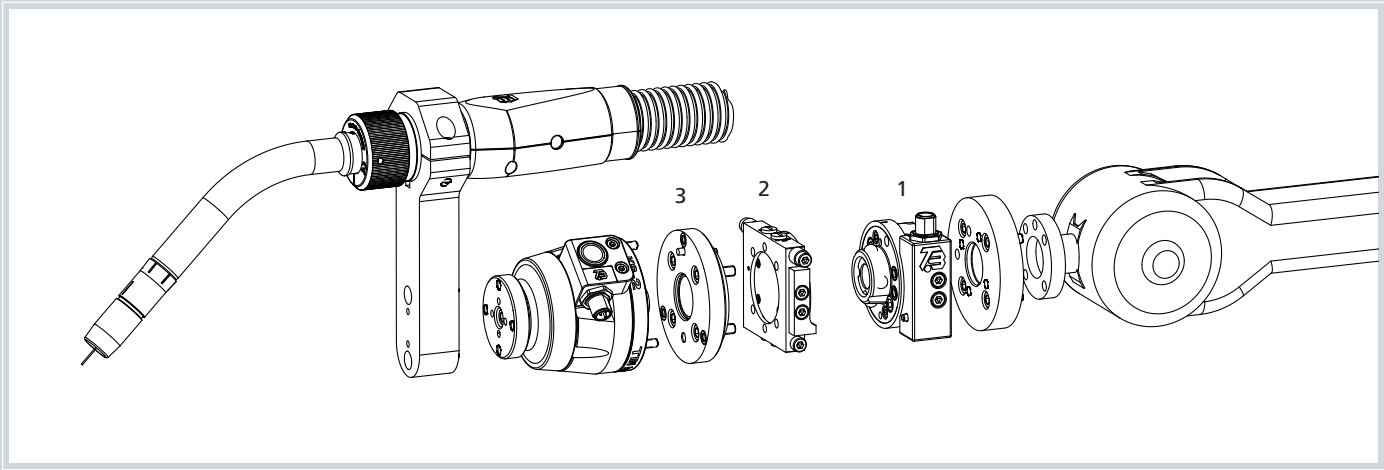
### Advantages

- Very robust and precise design for a long service life
- More tool adapters can be easily added to the system
- Integrated supply for compressed air on tool adapter available upon request, e.g. for pneumatic grinders

### Technical Data

Max. tool weight	10 kg
Max. torque on tool adapter	150 Nm in any direction
Interface to robot	directly compatible with robot flange according to DIN ISO 9409-1-A40 (Adapter flanges for other robots available)
Compressed air connection	6-10 bar
Functions	pneumatically lock and unlock tool
Electrical connections	electrical signals for „Tool attached to robot module“ and „Tool in storage station“ available
Weight of the tool changer	0.5 kg (incl. tool adapter)

## System Overview



Pos. Description Part. No.

### Ordering Information

1	TBi ToolChanger Robot module cpl.	536P001056
2	TBi ToolChanger tool adapter cpl.	536P001057
3	Adapter flange for TBi KS-2	536P001055
4	Tool storage station cpl.	536P001052
5	Pedestal for tool storage station	531P101045



This system can be used to attach fully pneumatic tools to the robot, e.g. grinders. The tool changer provides 2 independent air channels, therefore, the pneumatic tool does not need its own cable pack. This option must be installed in the factory.

Integrated air supply channels for pneumatic tools: 2x M5, 150 l/min, max. 10 bar