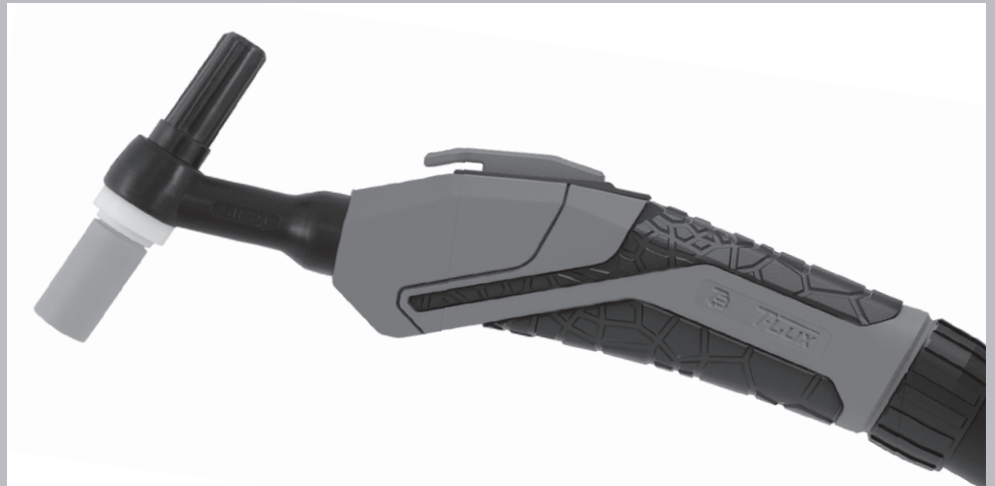


Ersatzteillisten

Spare parts lists

WIG/TIG T-Lux Any1

Central gas connector "CGC"



INHALT / CONTENTS

Verschleißteilübersicht / Wear parts

TBi SR 9 (FX), SR 20 (FX), SR 21 (FX)	4
TBi SR 17 (FX), SR 18 (FX), SR(F)X26,	5
TBi TM125, TBi TM250	10 - 11
TBi XCT 400W	17 - 18

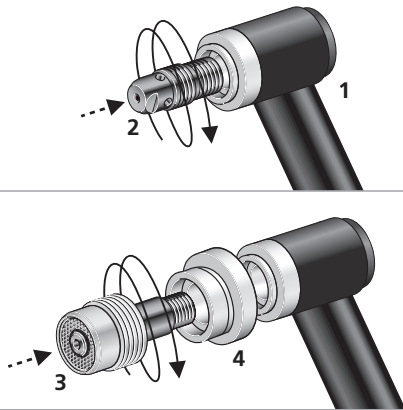
Gasgekühlt / Gascooled

TBi SR 17 (FX) T-Lux Any1	6
TBi SR(F)X26 T-Lux Any1	7 - 8
TBi TM125 T-Lux Any1	12 - 13

Wassergekühlt / Watercooled

TBi SR 18 (FX) T-Lux Any1	14
TBi SR 21 (FX) T-Lux Any1	15 - 16
TBi XCT 400 T-Lux Any1	19
TBi TM250 T-Lux Any1	20 - 21

1.



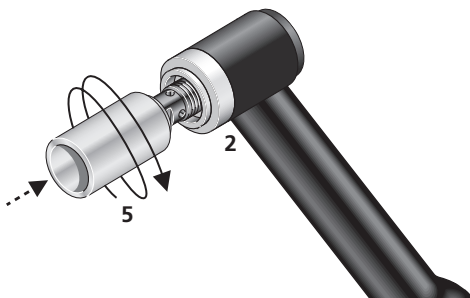
Spannhül-
sen-
gehäuse [2] in den
Brennerkörper [1]
einschrauben

*Screw the collet
body [2] into the
torch body [1]*

Für Jumbo-Gas-
lin-se [3] zusätz-
lichen Adapter [4]
montieren

*Use additional
adapter [4] for
jumbo gas lens [3]*

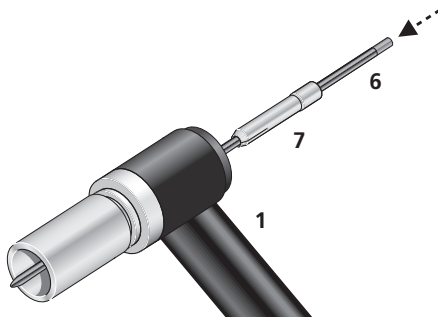
2.



Gasdüse [5] auf
Spannhülse-
gehäuse / Gaslin-
se [2]
aufschrauben

*Screw the noz-
zle [5] onto the
collet body / gas
lens [2]*

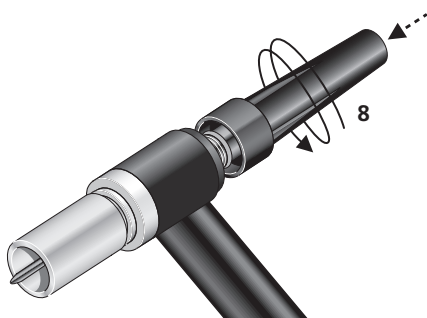
3.



Wolframelektrode
[6] und Spannhül-
se [7] von hinten
in den Brenner-
körper [1] stecken

*Insert the tung-
sten electrode [6]
and the collet [7]
from behind into
the torch body [1]*

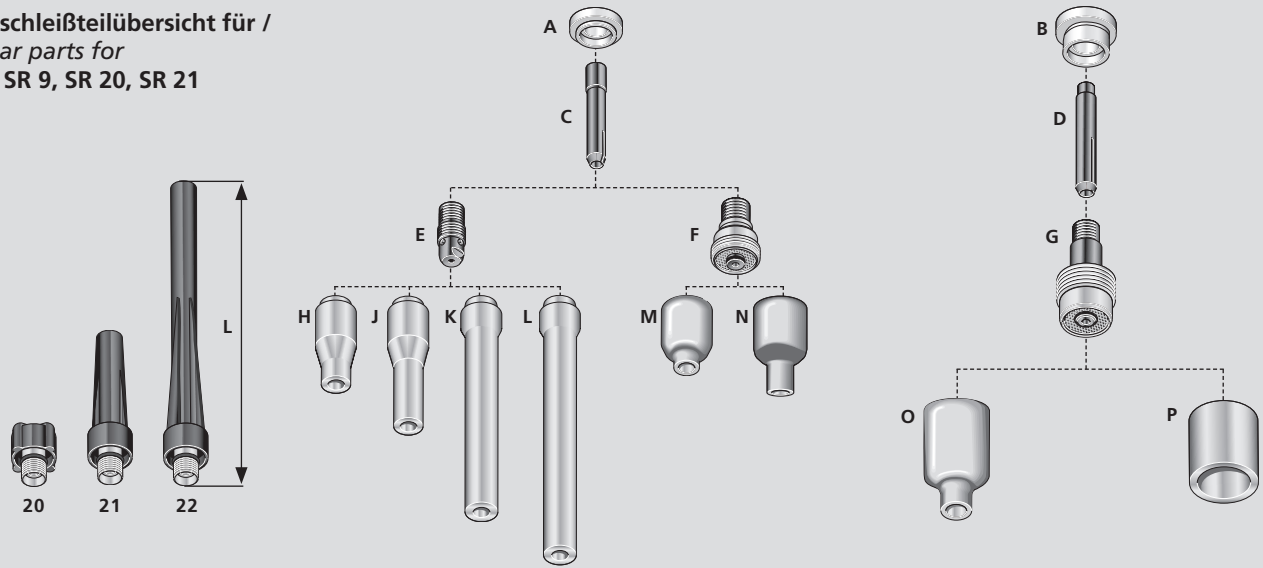
4.



Brennerkappe [8]
aufschrauben

*Screw the torch
cap [8] into the
torch body*

**Verschleißteilübersicht für /
Wear parts for
TBi SR 9, SR 20, SR 21**



Ersatzteile / Spare parts

20	Brennerkappe / Back cap	kurz / short	L = 18 mm	41V33	401P200100
21	Brennerkappe / Back cap	mittel / medium	L = 48 mm	41V35	401P200200
22	Brennerkappe / Back cap	lang / long	L = 145 mm	41V24	401P200300

Verschleißteile / Consumables

▶ A	Isolator / Insulator	Standard	598882	402P200900
B	Adapter / Adapter	Jumbo gas lens	54N63-20	401P200905

	Ø 0.5 mm Ø 0.020"	Ø 1.0 mm Ø 0.040"	Ø 1.6 mm Ø 1/16"	Ø 2.0 mm	Ø 2.4 mm Ø 3/32"	Ø 3.0 mm	Ø 3.2 mm Ø 1/8"
--	----------------------	----------------------	---------------------	----------	---------------------	----------	--------------------

Spannhülsen / Collets

▶ C	Standard, L=25.4 mm	13N20 401P200599	13N21 401P200600	13N22 401P200601	- 401P200604	13N23 401P200602	- 401P200605	13N24 401P200603
D	Jumbo, L=40.1 mm	-	13N21L 401P13N21L	13N22L 401P13N22L	-	13N23L 401P13N23L	-	13N24L 401P13N24L

Spannhülsegehäuse / Collet bodies

▶ E	L=20.6 mm	Ø 0.5-1.6 mm 13N27 401P201001		Ø 2.0-2.4 mm 13N28 401P201002		Ø 3.0-3.2 mm 13N29 401P201003	
-----	-----------	-------------------------------------	--	-------------------------------------	--	-------------------------------------	--

Gaslinsen / Gas lenses

F	Standard, L=21.5 mm	-	Ø 1.0-1.6 mm 45V43 401P201301		Ø 2.0-2.4 mm 45V44 401P201302		Ø 3.0-3.2 mm 45V45 401P201303	
G	Jumbo, L=40.5 mm	-	Ø 1.0-1.6 mm 45V116S 401P201351		Ø 2.0-2.4 mm 45V64S 401P201352		Ø 3.0-3.2 mm 995795S 401P201353	

	No. 3 Ø 5.0 mm Ø 3/16"	No. 4 Ø 6.5 mm Ø 1/4"	No. 5 Ø 8.0 mm Ø 5/16"	No. 6 Ø 9.5 mm Ø 3/8"	No. 7 Ø 11 mm Ø 7/16"	No. 8 Ø 12.5 mm Ø 1/2"	No. 10 Ø 16 mm Ø 5/8"
--	------------------------------	-----------------------------	------------------------------	-----------------------------	-----------------------------	------------------------------	-----------------------------

Keramische Gasdüsen / Ceramic nozzles

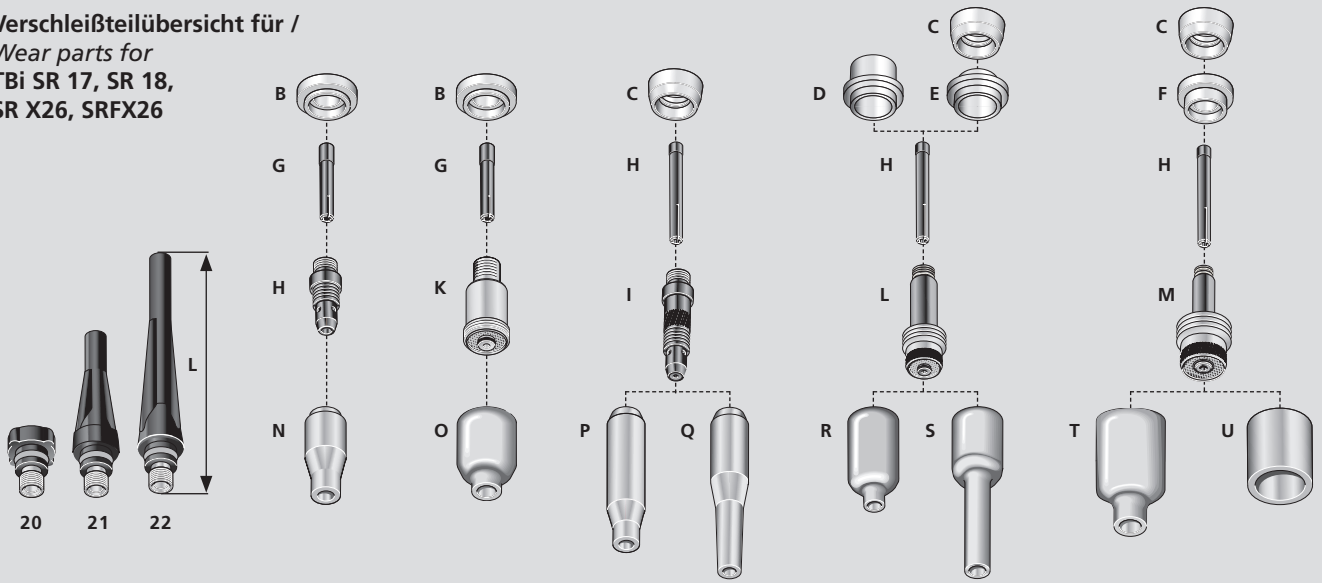
▶ H	Standard, L=30.0 mm	-	13N08 401P201106	13N09 401P201107	13N10 401P201108	13N11 401P201109	13N12 401P201110	13N13 401P201111
J	Standard, L, L=48.0 mm	796F70 401P201115	796F71 401P201116	796F72 401P201117	796F73 401P201118	-	-	-
K	Standard, XL, L=63.0 mm	-	796F75 401P201126	796F76 401P201127	796F77 401P201128	-	-	-
L	Standard, XXL, L=89.0 mm	-	796F79 401P201136	-	-	-	-	-

	No. 4 Ø 6.5 mm Ø 1/4"	No. 5 Ø 8.0 mm Ø 5/16"	No. 6 Ø 9.5 mm Ø 3/8"	No. 7 Ø 11 mm Ø 7/16"	No. 8 Ø 12.5 mm Ø 1/2"	No. 10 Ø 16 mm Ø 5/8"	No. 12 Ø 19 mm Ø 3/4"	Ø 24 mm
--	-----------------------------	------------------------------	-----------------------------	-----------------------------	------------------------------	-----------------------------	-----------------------------	---------

Keramische Gasdüsen / Ceramic nozzles

M	Gas lens, L=25.5 mm	53N58 401P201400	53N59 401P201401	53N60 401P201402	53N61 401P201403	53N61S 401P201404	- 401P201409	-
N	Gas lens, L, L=35.0 mm	53N58L 401P201408	53N59L 401P201405	53N60L 401P201406	53N61L 401P201407	-	- 401P201410	-
O	Jumbo gas lens L=48.0 mm	-	-	57N75 401P201451	-	57N74 401P201452	53N88 401P222250	53N87 401P222251
P	Jumbo gas lens (short), L=34.0 mm	-	-	-	-	-	-	53N89 401P222252

**Verschleißteilübersicht für /
Wear parts for
TBi SR 17, SR 18,
SR X26, SRFX26**



Ersatzteile / Spare parts

20	Brennerkappe / Back cap	kurz / short	L = 24 mm	57Y04	402P170100
21	Brennerkappe / Back cap	mittel / medium	L = 58 mm	57Y05	402P170150
22	Brennerkappe / Back cap	lang / long	L = 140 mm	57Y02	402P170200

Verschleißteile / Consumables

B	Isolator / Insulator	Small, Gas lens	402P956100
C	Isolator / Insulator	Standard	18CG 403P171000
D	Isolator / Insulator	Gas lens	54N01-TBi 401P181100
E	Isolator / Insulator	Gas lens	54N01 401P171000
F	Adapter / Adapter	Jumbo gas lens	54N63 401P171105

	Ø 0.5 mm Ø 0.020"	Ø 1.0 mm Ø 0.040"	Ø 1.6 mm Ø 1/16"	Ø 2.0 mm	Ø 2.4 mm Ø 3/32"	Ø 3.0 mm	Ø 3.2 mm Ø 1/8"	Ø 4.0 mm Ø 5/32"
--	----------------------	----------------------	---------------------	----------	---------------------	----------	--------------------	---------------------

Spannhülsen / Collets

G	kurz / short L=29.3 mm	-	10N22S 402P10N22S	10N23S 402P10N23S	-	10N24S 402P10N24S	-	10N25S 402P10N25S	-
H	Standard L=50.0 mm	10N21 402P170499	10N22 402P170500	10N23 402P170502	402P170506	10N24 402P170503	402P170507	10N25 402P170504	54N20 402P170505

Spannhülsegehäuse / Collet bodies

I	kurz / short L=24.5 mm	-	Ø 1.0 - 1.6 mm 17CB22 402P17CB22		Ø 2.0 - 2.4 mm 17CB23 402P17CB23		Ø 3.0 - 3.2 mm 17CB24 402P17CB24		-
J	Standard L=47.0 mm	-	Ø 0.5 - 1.6 mm 10N31 401P180999		Ø 2.0 - 2.4 mm 10N32 401P181000		Ø 3.0 - 3.2 mm 10N28 401P181001		406488 401P181002

Gaslinsen / Gas lenses

K	kurz / short L=27.0 mm	-	402P956048	402P956049	-	402P956050	-	402P956051	-
L	Standard L=50.0 mm	-	Ø 1.0 - 1.6 mm 45V25, 401P181300		Ø 2.0 - 2.4 mm 45V26, 401P181301		Ø 3.0 - 3.2 mm 45V27, 401P181302		45V28 401P181303
M	Jumbo L=50.0 mm	-	Ø 1.0 - 1.6 mm 45V116, 401P181351		Ø 2.0 - 2.4 mm 45V64, 401P181352		Ø 3.0 - 3.2 mm 995795, 401P181353		45V63 401P181354

	No. 4 Ø 6.5 mm Ø 1/4"	No. 5 Ø 8.0 mm Ø 5/16"	No. 6 Ø 9.5 mm Ø 3/8"	No. 7 Ø 11 mm Ø 7/16"	No. 8 Ø 12.5 mm Ø 1/2"	No. 10 Ø 16 mm Ø 5/8"	No. 11 Ø 17.5 mm Ø 11/16"	No. 12 Ø 19 mm Ø 3/4"	Ø 24.0 mm
--	-----------------------------	------------------------------	-----------------------------	-----------------------------	------------------------------	-----------------------------	---------------------------------	-----------------------------	-----------

Keramische Gasdüsen / Ceramic nozzles

N	kurz/short L=30.0 mm	13N08 401P201106	13N09 401P201107	13N10 401P201108	13N11 401P201109	13N12 401P201110	13N13 401P201111	-	-	-
O	Gas lens short L=25.5 mm	53N58 401P201400	53N59 401P201401	53N60 401P201402	53N61 401P201403	53N61S 401P201404	-	-	-	-
P	Standard L=47.0 mm	10N50 401P170907	10N49 401P170908	10N48 401P170909	10N47 401P170910	10N46 401P170911	10N45 401P170912	-	10N44 401P170913*	-
Q	Standard, L L=76.0 mm	10N50L 401P170923	10N49L 401P170914	10N48L 401P170915	10N47L 401P170916	-	-	-	-	-
R	Gas lens L=42.0 mm	54N18 401P222200	54N17 401P222201	54N16 401P222202	54N15 401P222203	54N14 401P222204	-	54N19 401P222206	-	-
S	Gas lens, L L=76.0 mm	54N18 L 401P222211	54N17 L 401P222207	54N16 L 401P222208	54N15 L 401P222209	54N14 L 401P222210	-	-	-	-
T	Jumbo gas lens L=48.0 mm	-	-	57N75 401P201451	-	57N74 401P201452	53N88 401P222250	-	53N87 401P222251	53N89-L 401P222253
U	Jumbo gas lens (short), L=34.0 mm	-	-	-	-	-	-	-	-	53N89 401P222252

* L=50.0 mm

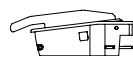
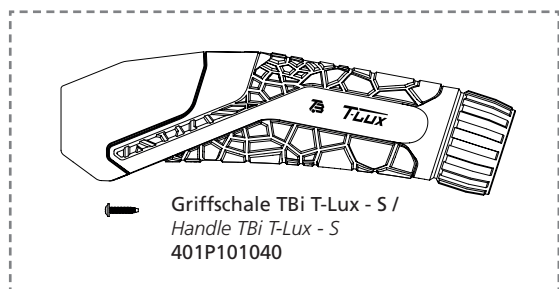


TBi Industries

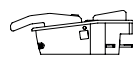
TBi SR 17 T-Lux Any1

Kühlart / Cooling method	Belastbarkeit [A] / Rating [A]		Einschaltdauer / Duty cycle (10 min.)	Ø [mm]
	AC	DC		
Gas / gas	120	170	35 %	0.5 - 2.4

Typ / Type	Stromanschluss / Power connector	Schlauchpaketlänge / Cable length	Art. Nummer / Part no.
TBi SR 17 T-Lux Any1	Central gas connector "CGC"	4 m	407P017004
TBi SR 17 T-Lux Any1	Central gas connector "CGC"	8 m	407P017008



Einzeldruck-Modul /
Single trigger modul
406P101030

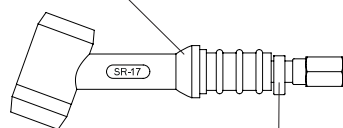


Doppeldruck-Modul /
Double trigger modul
406P101031

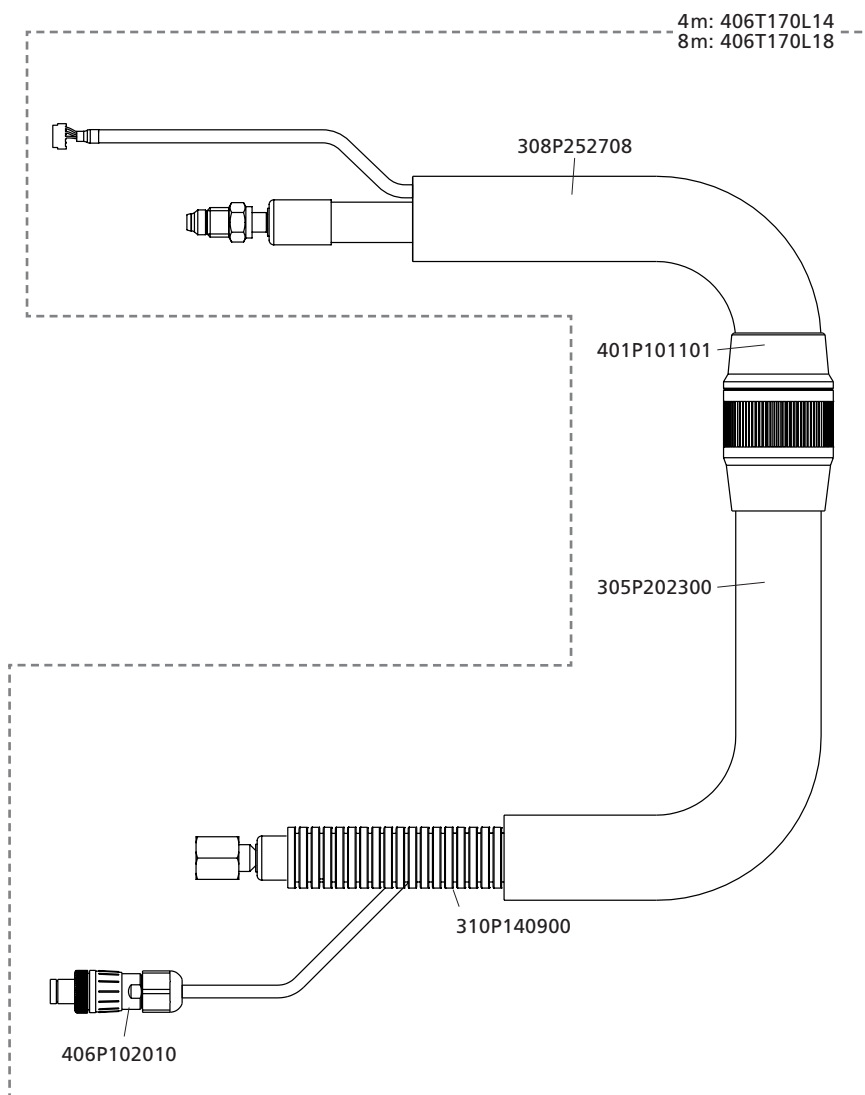
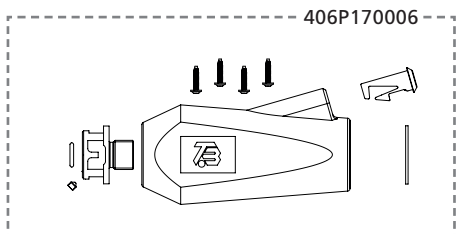


Up/Down-Modul /
Up/down modul
406P101032

Brennerhals SR 17 ohne Halteclip /
Torch neck SR 17 w/o Retaining clip
405P170700



Halteclip /
Retaining clip
401P102014



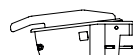
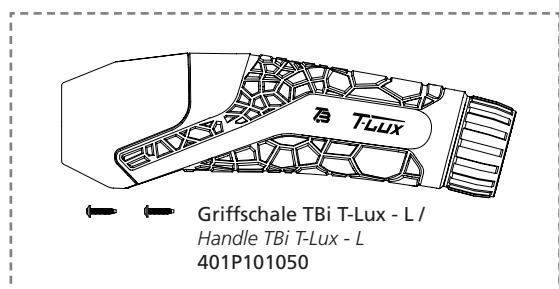


TBi Industries

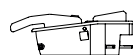
TBi SR (F)X26 T-Lux Any1

Kühlart / Cooling method	Belastbarkeit [A] / Rating [A]		Einschaltdauer / Duty cycle (10 min.)	Ø [mm]
	AC	DC		
Gas / gas	180	260	35 %	0.5 - 4.0

Typ / Type	Stromanschluss / Power connector	Schlauchpaketlänge / Cable length	Art. Nummer / Part no.
TBi SR X26 T-Lux Any1	Central gas connector "CGC"	4 m	407P026004
TBi SR X26 T-Lux Any1	Central gas connector "CGC"	8 m	407P026008
TBi SR X26 T-Lux Any1	Central gas connector "CGC"	12 m	407P026012
TBi SR X26 T-Lux Any1	Central gas connector "CGC"	16 m	407P026016
TBi SR FX26 T-Lux Any1	Central gas connector "CGC"	4 m	407PF26004
TBi SR FX26 T-Lux Any1	Central gas connector "CGC"	8 m	407PF26008
TBi SR FX26 T-Lux Any1	Central gas connector "CGC"	12 m	407PF26012
TBi SR FX26 T-Lux Any1	Central gas connector "CGC"	16 m	407PF26016



Einzeldruck-Modul /
Single trigger modul
406P101030

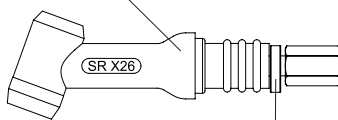


Doppeldruck-Modul /
Double trigger modul
406P101031



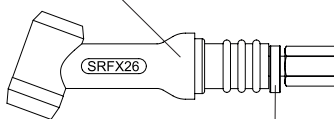
Up/Down-Modul /
Up/down modul
406P101032

Brennerhals SR X26 ohne Halteclip /
Torch neck SR X26 w/o Retaining clip
405PX26700



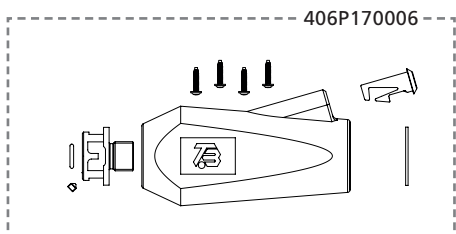
Halteclip /
Retaining clip
401P102019

Brennerhals SRFX26 (flexibel) ohne Halteclip /
Torch neck SRFX26 (flexible) w/o Retaining clip
403PX26700



Halteclip /
Retaining clip
401P102019

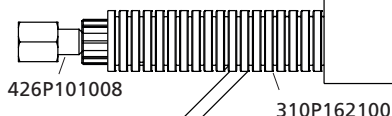
4m: 406T260L14
8m: 406T260L18
12m: 406T260L1C
16m: 406T260L1G



700P002159



426P101008



406P102010

308P252708

401P101102

305P252800

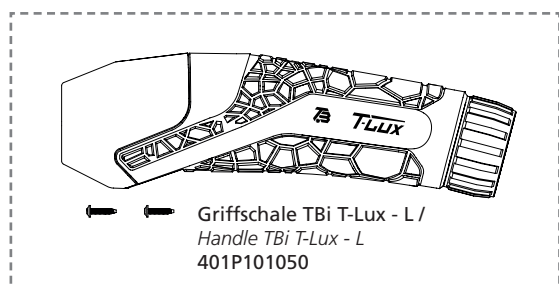


TB Industries

TBi SR (F)X26 T-Lux Any1

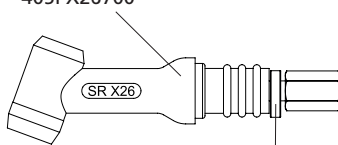
Kühlart / Cooling method	Belastbarkeit [A] / Rating [A]		Einschaltdauer / Duty cycle (10 min.)	Ø [mm]
	AC	DC		
Gas / gas	180	260	35 %	0.5 - 4.0

Typ / Type	Modul / Modul	Stromanschluss / Power connector	Schlauchpaketlänge / Cable length	Art. Nummer / Part no.
TBi SR X26 T-Lux Any1	Einzeldruck mit Poti / <i>Single trigger with poti</i>	Central gas connector "CGC"	4 m	4P7P026004
TBi SR X26 T-Lux Any1	Einzeldruck mit Poti / <i>Single trigger with poti</i>	Central gas connector "CGC"	8 m	4P7P026008
TBi SR X26 T-Lux Any1	Einzeldruck mit Poti / <i>Single trigger with poti</i>	Central gas connector "CGC"	12 m	4P7P026012
TBi SR X26 T-Lux Any1	Einzeldruck mit Poti / <i>Single trigger with poti</i>	Central gas connector "CGC"	16 m	4P7P026016
TBi SR FX26 T-Lux Any1	Einzeldruck mit Poti / <i>Single trigger with poti</i>	Central gas connector "CGC"	12 m	4P7PF26012
TBi SR FX26 T-Lux Any1	Einzeldruck mit Poti / <i>Single trigger with poti</i>	Central gas connector "CGC"	16 m	4P7PF26012



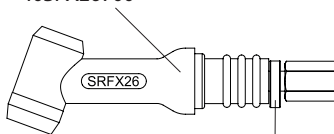
Einzeldruck-Modul mit Poti /
Single trigger modul with poti
401P101065

Brennerhals SR X26 ohne Halteclip /
Torch neck SR X26 w/o Retaining clip
405PX26700



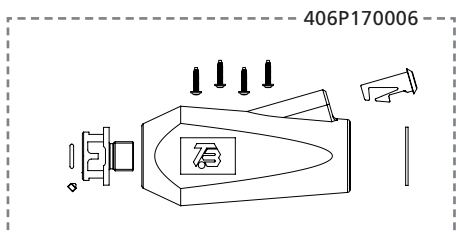
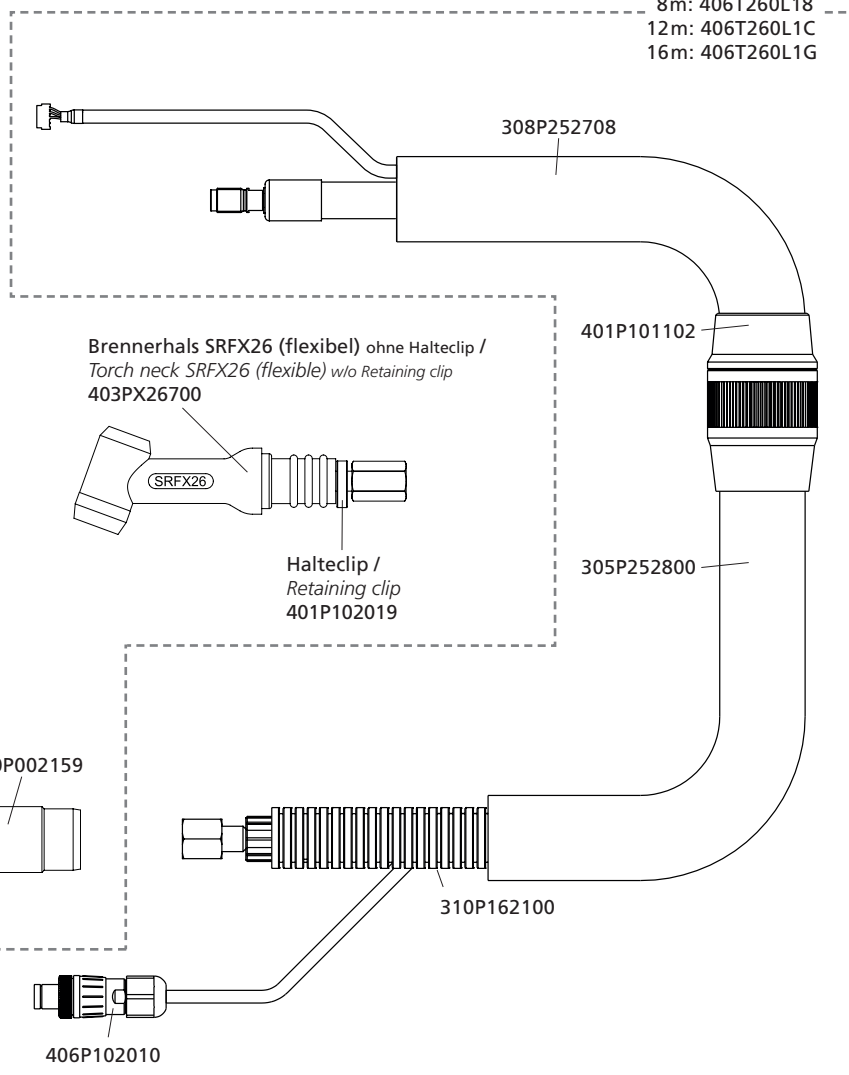
Halteclip /
Retaining clip
401P102019

Brennerhals SRFX26 (flexibel) ohne Halteclip /
Torch neck SRFX26 (flexible) w/o Retaining clip
403PX26700

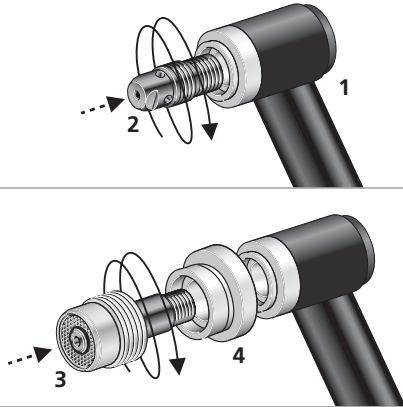


Halteclip /
Retaining clip
401P102019

- 4m: 406T260L14
- 8m: 406T260L18
- 12m: 406T260L1C
- 16m: 406T260L1G



1.



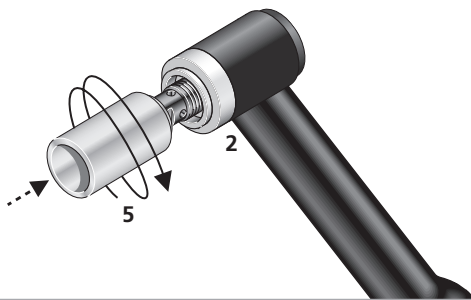
Spannhül-
sen-
gehäuse [2] in den
Brennerkörper [1]
einschrauben

*Screw the collet
body [2] into the
torch body [1]*

Für Jumbo-Gas-
lin-se [3] zusätz-
lichen Adapter [4]
montieren

*Use additional
adapter [4] for
jumbo gas lens [3]*

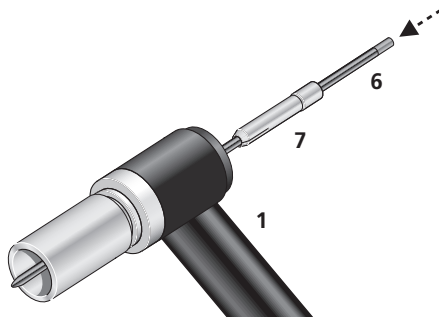
2.



Gasdüse [5] auf
Spannhülse-
gehäuse / Gaslin-
se [2] aufschrauben

*Screw the noz-
zle [5] onto the
collet body / gas
lens [2]*

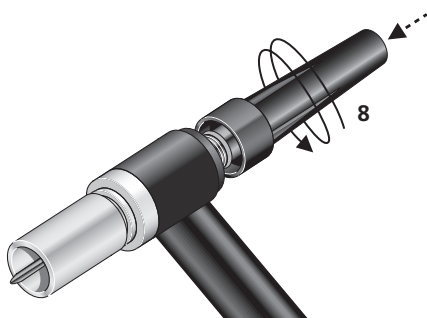
3.



Wolframelektrode
[6] und Spannhül-
se [7] von hinten
in den Brenner-
körper [1] stecken

*Insert the tung-
sten electrode [6]
and the collet [7]
from behind into
the torch body [1]*

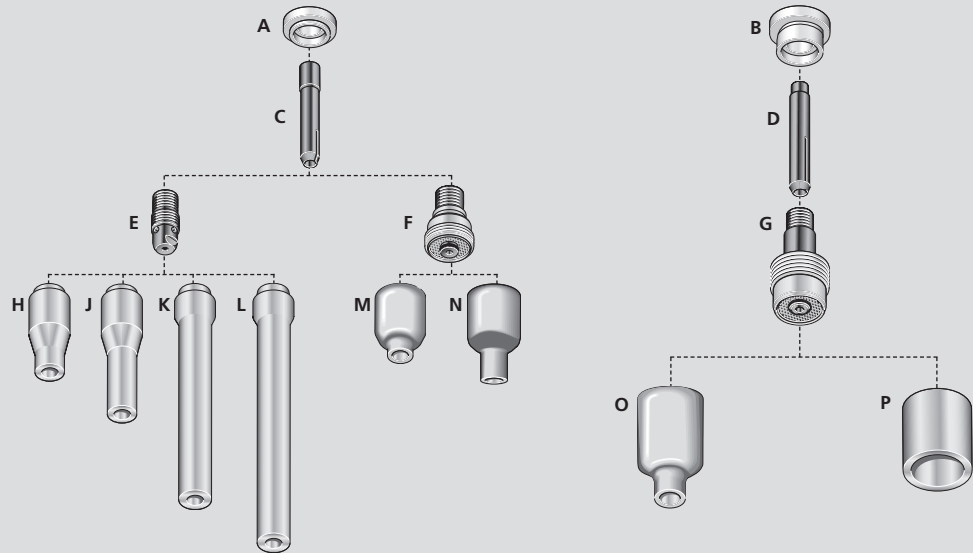
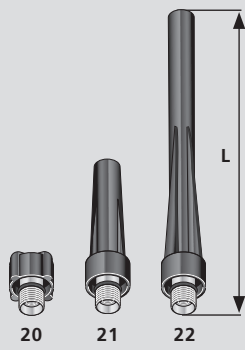
4.



Brennerkappe [8]
aufschrauben

*Screw the torch
cap [8] into the
torch body*

Verschleißteilübersicht
für / Wear parts for
TM125/TM250
TM 9/20



Ersatzteile / Spare parts

20	Brennerkappe / Back cap	kurz / short	L=18 mm	41V33	401P200100
21	Brennerkappe / Back cap	mittel / medium	L=48 mm	41V35	401P200200
22	Brennerkappe / Back cap	lang / long	L=145 mm	41V24	401P200300

Verschleißteile / Consumables

▶ A	Isolator / Insulator	Standard	598882	402P200900
B	Adapter / Adapter	Jumbo gas lens	54N63-20	401P200905

		Ø 0.5 mm Ø 0.020"	Ø 1.0 mm Ø 0.040"	Ø 1.6 mm Ø 1/16"	Ø 2.0 mm	Ø 2.4 mm Ø 3/32"	Ø 3.0 mm	Ø 3.2 mm Ø 1/8"
Spannhülsen / Collets								
▶ C	Standard, L=25.4 mm	13N20 401P200599	13N21 401P200600	13N22 401P200601	- 401P200604	13N23 401P200602	- 401P200605	13N24 401P200603
D	Jumbo, L=40.1 mm	-	13N21L 401P13N21L	13N22L 401P13N22L	-	13N23L 401P13N23L	-	13N24L 401P13N24L

Spannhülsegehäuse / Collet bodies

▶ E	L=20.6 mm	Ø 0.5 - 1.6 mm 13N27 401P201001		Ø 2.0 - 2.4 mm 13N28 401P201002		Ø 3.0 - 3.2 mm 13N29 401P201003	
-----	-----------	---------------------------------------	--	---------------------------------------	--	---------------------------------------	--

Gaslinsen / Gas lenses

F	Standard, L=21.5 mm	-	45V42 401P201300	45V43 401P201301	Ø 2.0 - 2.4 mm 45V44 401P201302		Ø 3.0 - 3.2 mm 45V45 401P201303	
G	Jumbo, L=40.5 mm	-	45V0204S 401P201350	45V116S 401P201351	Ø 2.0 - 2.4 mm 45V64S 401P201352		Ø 3.0 - 3.2 mm 995795S 401P201353	

	No. 3 Ø 5.0 mm Ø 3/16"	No. 4 Ø 6.5 mm Ø 1/4"	No. 5 Ø 8.0 mm Ø 5/16"	No. 6 Ø 9.5 mm Ø 3/8"	No. 7 Ø 11 mm Ø 7/16"	No. 8 Ø 12.5 mm Ø 1/2"	No. 10 Ø 16 mm Ø 5/8"
--	------------------------------	-----------------------------	------------------------------	-----------------------------	-----------------------------	------------------------------	-----------------------------

Keramische Gasdüsen / Ceramic nozzles

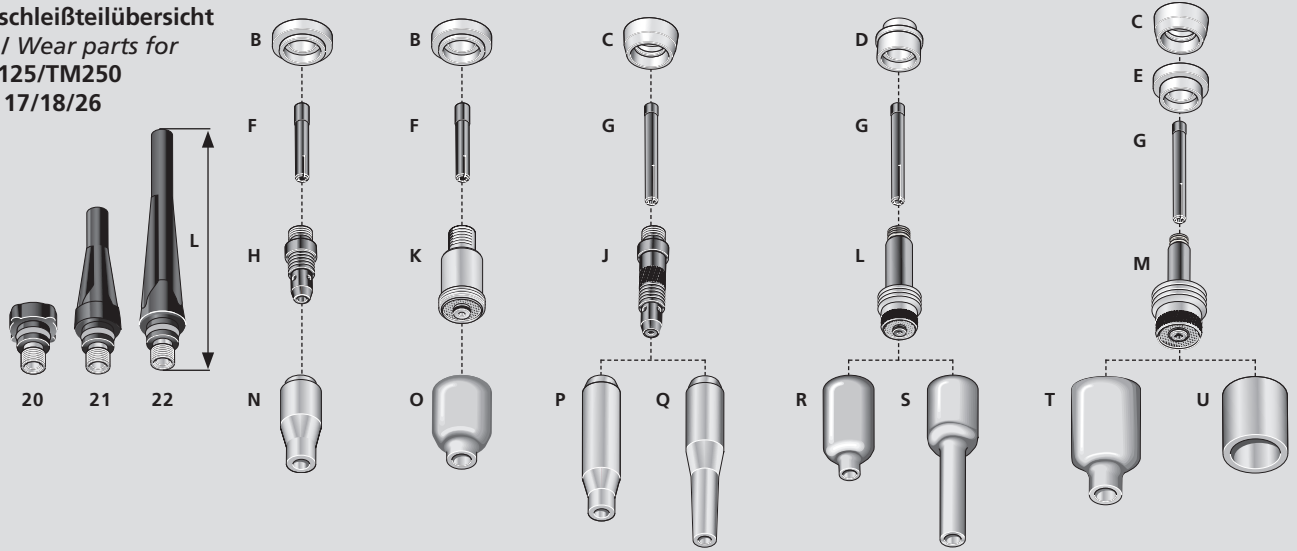
▶ H	Standard, L=30.0 mm	-	13N08 401P201106	13N09 401P201107	13N10 401P201108	13N11 401P201109	13N12 401P201110	13N13 401P201111
J	Standard, L, L=48.0 mm	796F70 401P201115	796F71 401P201116	796F72 401P201117	796F73 401P201118	-	-	-
K	Standard, XL, L=63.0 mm	-	796F75 401P201126	796F76 401P201127	796F77 401P201128	-	-	-
L	Standard, XXL, L=89.0 mm	-	796F79 401P201136	-	-	-	-	-

	No. 4 Ø 6.5 mm Ø 1/4"	No. 5 Ø 8.0 mm Ø 5/16"	No. 6 Ø 9.5 mm Ø 3/8"	No. 7 Ø 11 mm Ø 7/16"	No. 8 Ø 12.5 mm Ø 1/2"	No. 10 Ø 16 mm Ø 5/8"	No. 12 Ø 19 mm Ø 3/4"	Ø 24 mm
--	-----------------------------	------------------------------	-----------------------------	-----------------------------	------------------------------	-----------------------------	-----------------------------	---------

Keramische Gasdüsen / Ceramic nozzles

M	Gas lens, L=25.5 mm	53N58 401P201400	53N59 401P201401	53N60 401P201402	53N61 401P201403	53N61S 401P201404	-	-
N	Gas lens, L, L=35.0 mm	53N58L 401P201408	53N59L 401P201405	53N60L 401P201406	53N61L 401P201407	-	-	-
O	Jumbo gas lens L=48.0 mm	-	-	57N75 401P201451	-	57N74 401P201452	53N88 401P222250	53N87 401P222251
P	Jumbo gas lens (short), L=34.0 mm	-	-	-	-	-	-	53N89 401P222252

**Verschleißteilübersicht
für / Wear parts for
TM125/TM250
TM 17/18/26**



Ersatzteile / Spare parts

20	Brennerkappe / Back cap	kurz / short	L=24 mm	57Y04	402P170100
21	Brennerkappe / Back cap	mittel / medium	L=58 mm	57Y05	402P170150
22	Brennerkappe / Back cap	lang / long	L=140 mm	57Y02	402P170200

Verschleißteile / Consumables / Consommables

B	Isolator / Insulator / Isolateur	Small, Gas lens		402P956100
C	Isolator / Insulator / Isolateur	Standard	18CG	403P171000
D	Isolator / Insulator / Isolateur	Gas lens	54N01	401P181100
E	Adapter / Adapter / Adaptateur	Jumbo gas lens	54N63	401P171105

	Ø 0.5 mm Ø 0.020"	Ø 1.0 mm Ø 0.040"	Ø 1.6 mm Ø 1/16"	Ø 2.0 mm	Ø 2.4 mm Ø 3/32"	Ø 3.0 mm	Ø 3.2 mm Ø 1/8"	Ø 4.0 mm Ø 5/32"
--	----------------------	----------------------	---------------------	----------	---------------------	----------	--------------------	---------------------

Spannhülsen / Collets

F	kurz / short L=29.3 mm	-	10N22S 402P10N22S	10N23S 402P10N23S	-	10N24S 402P10N24S	-	10N25S 402P10N25S	-
G	Standard L=50.0 mm	10N21 402P170499	10N22 402P170500	10N23 402P170502	402P170506	10N24 402P170503	402P170507	10N25 402P170504	54N20 402P170505

Spannhülsegehäuse / Collet bodies / Supports pince

H	kurz / short / court L=24.5 mm	-	Ø 1.0 - 1.6 mm 17CB22 402P17CB22		Ø 2.0 - 2.4 mm 17CB23 402P17CB23		Ø 3.0 - 3.2 mm 17CB24 402P17CB24		-
J	Standard L=47.0 mm	-	Ø 0.5 - 1.6 mm 10N31 401P180999		Ø 2.0 - 2.4 mm 10N32 401P181000		Ø 3.0 - 3.2 mm 10N28 401P181001		406488 401P181002

Gaslinsen / Gas lenses

K	kurz / short / court L=27.0 mm	-	-	402P956048	402P956049	-	402P956050	-	402P956051	-
L	Standard L=50.0 mm	-	45V24 401P181299	45V25 401P181300	Ø 2.0 - 2.4 mm 45V26, 401P181301		Ø 3.0 - 3.2 mm 45V27, 401P181302		45V28 401P181303	
M	Jumbo L=50.0 mm	-	45V0204 401P181350	45V116 401P181351	Ø 2.0 - 2.4 mm 45V64, 401P181352		Ø 3.0 - 3.2 mm 995795, 401P181353		45V63 401P181354	

	No. 4 Ø 6.5 mm Ø 1/4"	No. 5 Ø 8.0 mm Ø 5/16"	No. 6 Ø 9.5 mm Ø 3/8"	No. 7 Ø 11 mm Ø 7/16"	No. 8 Ø 12.5 mm Ø 1/2"	No. 10 Ø 16 mm Ø 5/8"	No. 11 Ø 17.5 mm Ø 11/16"	No. 12 Ø 19 mm Ø 3/4"	Ø 24.0 mm
--	-----------------------------	------------------------------	-----------------------------	-----------------------------	------------------------------	-----------------------------	---------------------------------	-----------------------------	-----------

Keramische Gasdüsen / Ceramic nozzles

N	kurz/short L=30.0 mm	13N08 401P201106	13N09 401P201107	13N10 401P201108	13N11 401P201109	13N12 401P201110	13N13 401P201111	-	-	-
O	Gas lens short L=25.5 mm	53N58 401P201400	53N59 401P201401	53N60 401P201402	53N61 401P201403	53N61S 401P201404	-	-	-	-
P	Standard L=47.0 mm	10N50 401P170907	10N49 401P170908	10N48 401P170909	10N47 401P170910	10N46 401P170911	10N45 401P170912	-	10N44 401P170913*	-
Q	Standard, L L=76.0 mm	10N50L 401P170923	10N49L 401P170914	10N48L 401P170915	10N47L 401P170916	-	-	-	-	-
R	Gas lens L=42.0 mm	54N18 401P222200	54N17 401P222201	54N16 401P222202	54N15 401P222203	54N14 401P222204	-	54N19 401P222206	-	-
S	Gas lens, L L=76.0 mm	54N18 L 401P222211	54N17 L 401P222207	54N16 L 401P222208	54N15 L 401P222209	54N14 L 401P222210	-	-	-	-
T	Jumbo gas lens L=48.0 mm	-	-	57N75 401P201451	-	57N74 401P201452	53N88 401P222250	-	53N87 401P222251	53N89-L 401P222253
U	Jumbo gas lens (short), L=34.0 mm	-	-	-	-	-	-	-	-	53N89 401P222252

* L=50.0 mm

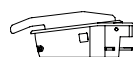
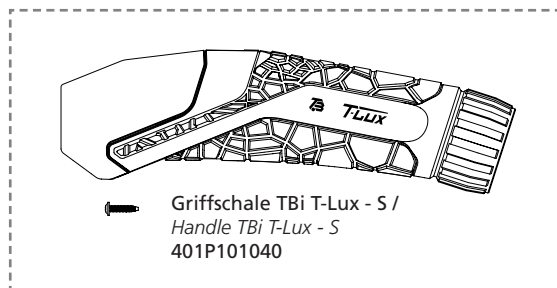


TBi Industries

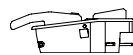
TBi TM125 T-Lux Any1

Kühlart / Cooling method	Brennerkopf / Torchhead	Belastbarkeit [A] / Rating [A]		Einschaltdauer / Duty cycle (10 min.)	Ø [mm]
		AC	DC		
Gas / gas	TM 9/20	80	110	60 %	0.5 - 1.6
Gas / gas	TM 17/18/26	100	140	60 %	0.5 - 2.4

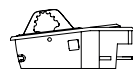
Typ / Type	Stromanschluss / Power connector	Schlauchpaketlänge / Cable length	Art. Nummer / Part no.
TBi TM125 T-Lux Any1	Central gas connector "CGC"	4 m	407P125004
TBi TM125 T-Lux Any1	Central gas connector "CGC"	8 m	407P125008
TBi TM125 T-Lux Any1	Central gas connector "CGC"	12 m	407P125012
TBi TM125 T-Lux Any1	Central gas connector "CGC"	16 m	407P125016



Einzeldruck-Modul /
Single trigger modul
406P101030

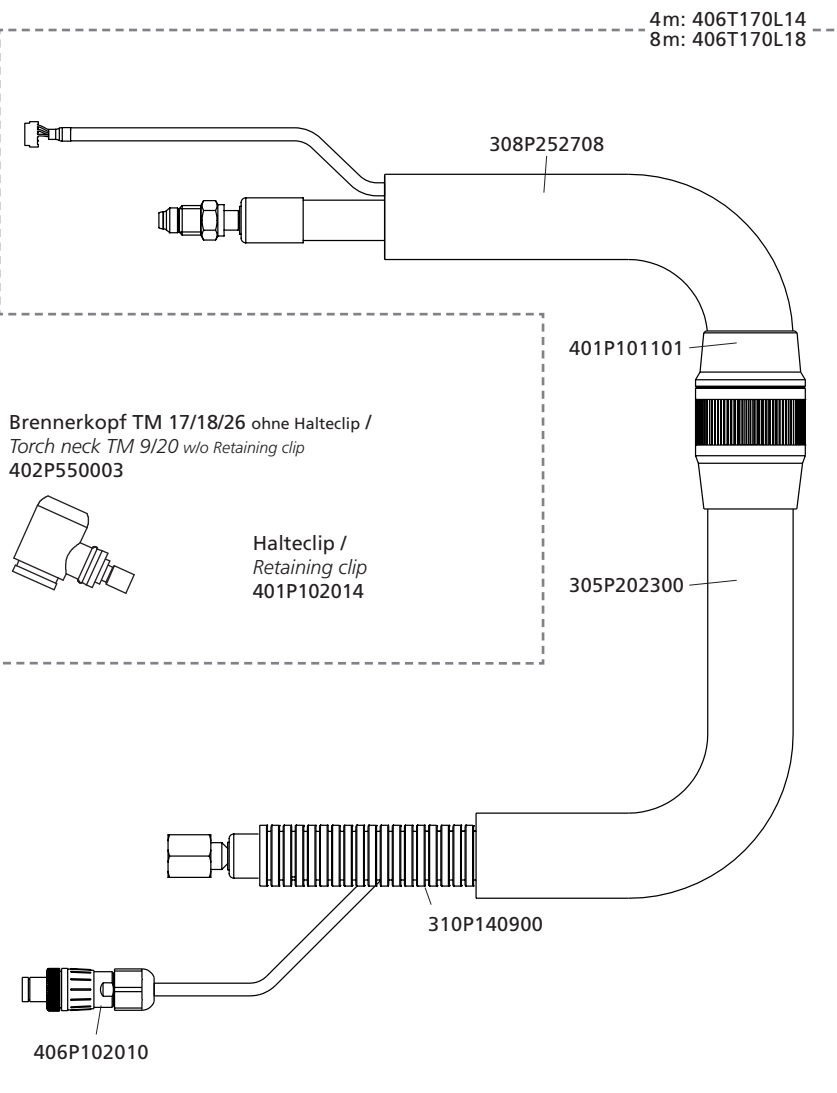
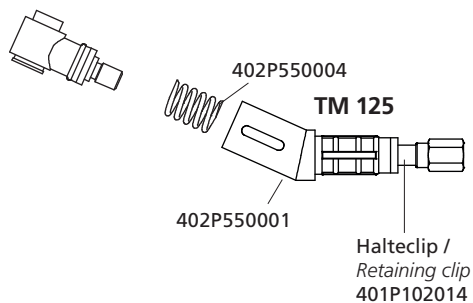


Doppeldruck-Modul /
Double trigger modul
406P101031

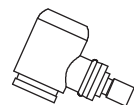


Up/Down-Modul /
Up/down modul
406P101032

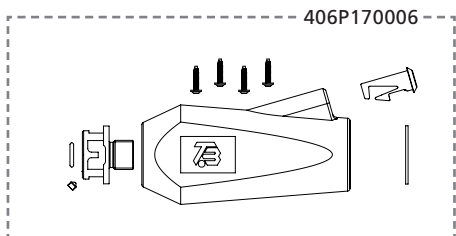
Brennerkopf TM 9/20 ohne Halteclip /
Torch neck TM 9/20 w/o Retaining clip
402P550002



Brennerkopf TM 17/18/26 ohne Halteclip /
Torch neck TM 9/20 w/o Retaining clip
402P550003



Halteclip /
Retaining clip
401P102014



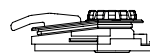
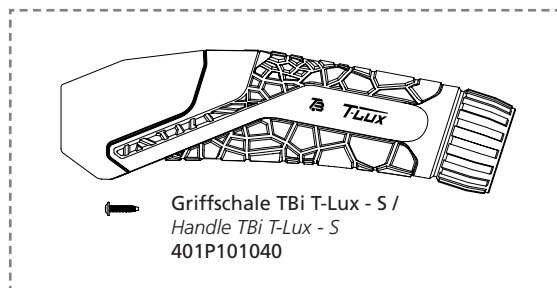


TBI Industries

TBi TM125 T-Lux Any1

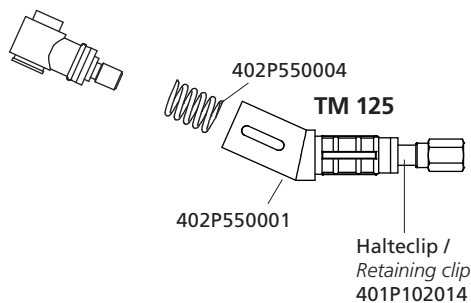
Kühlart / Cooling method	Brennerkopf / Torchhead	Belastbarkeit [A] / Rating [A]		Einschaltdauer / Duty cycle (10 min.)	Ø [mm]
		AC	DC		
Gas / gas	TM 9/20	80	110	60 %	0.5 - 1.6
Gas / gas	TM 17/18/26	100	140	60 %	0.5 - 2.4

Typ / Type	Modul / Modul	Stromanschluss / Power connector	Schlauchpaketlänge / Cable length	Art. Nummer / Part no.
TBi TM125 T-Lux Any1	Einzeldruck mit Poti / <i>Single trigger with poti</i>	Central gas connector "CGC"	4 m	4P7P125004
TBi TM125 T-Lux Any1	Einzeldruck mit Poti / <i>Single trigger with poti</i>	Central gas connector "CGC"	8 m	4P7P125008

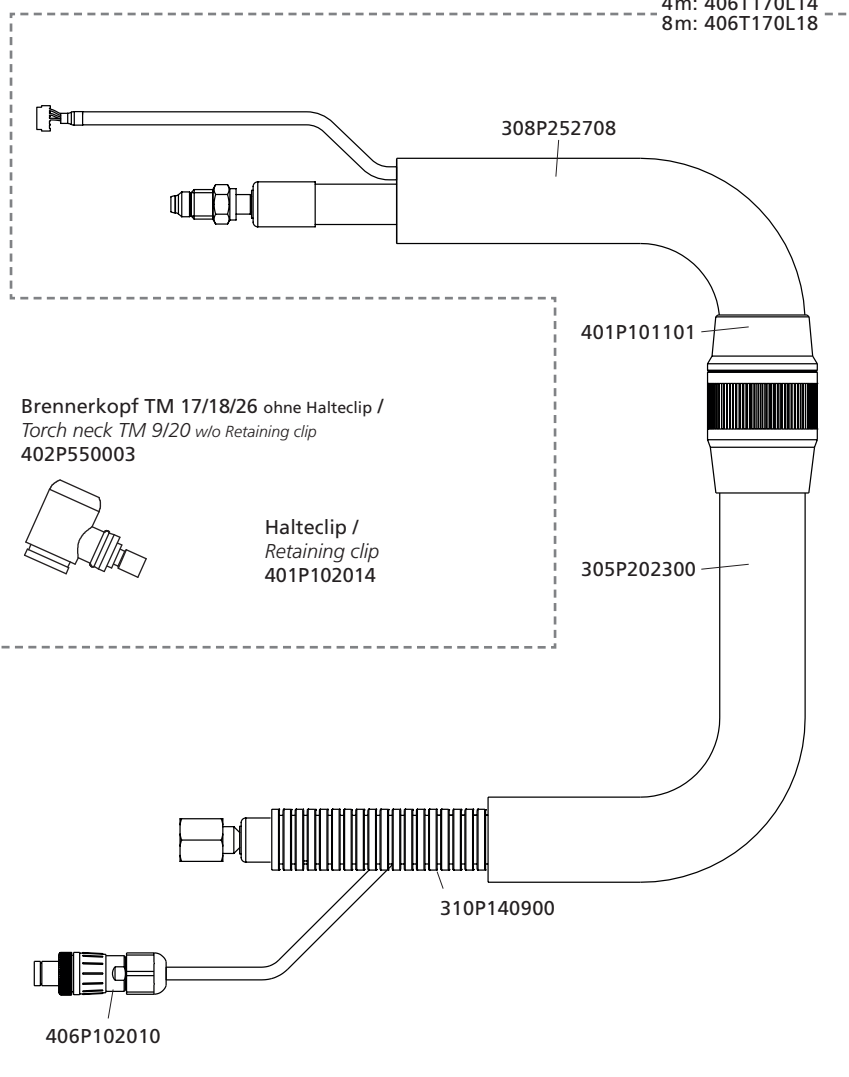


Einzeldruck-Modul mit Poti/
Single trigger modul with poti
401P101065

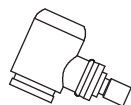
Brennerkopf TM 9/20 ohne Halteclip /
Torch neck TM 9/20 w/o Retaining clip
402P550002



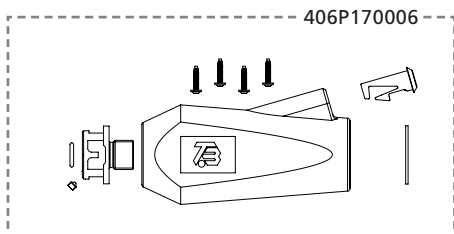
4m: 406T170L14
8m: 406T170L18



Brennerkopf TM 17/18/26 ohne Halteclip /
Torch neck TM 9/20 w/o Retaining clip
402P550003



Halteclip /
Retaining clip
401P102014



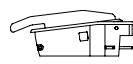
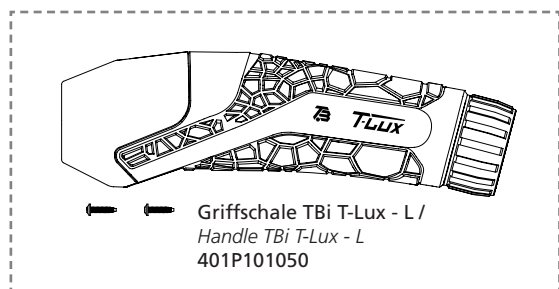


TB Industries

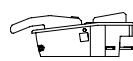
TBi SR 18 (FX) T-Lux Any1

Kühlart / Cooling method	Belastbarkeit [A] / Rating [A]		Einschaltdauer / Duty cycle (10 min.)	Ø [mm]
	AC	DC		
Wasser / water	225	320	100 %	1.6 - 4.0

Typ / Type	Stromanschluss / Power connector	Schlauchpaketlänge / Cable length	Art. Nummer / Part no.
TBi SR 18 T-Lux Any1	Central gas connector "CGC"	4 m	407P018004
TBi SR 18 T-Lux Any1	Central gas connector "CGC"	8 m	407P018008
TBi SR 18 FX T-Lux Any1	Central gas connector "CGC"	4 m	407PF18004
TBi SR 18 FX T-Lux Any1	Central gas connector "CGC"	8 m	407PF18008



Einzeldruck-Modul /
Single trigger modul
406P101030

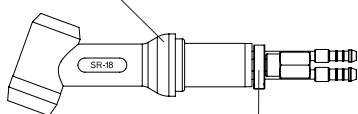


Doppeldruck-Modul /
Double trigger modul
406P101031

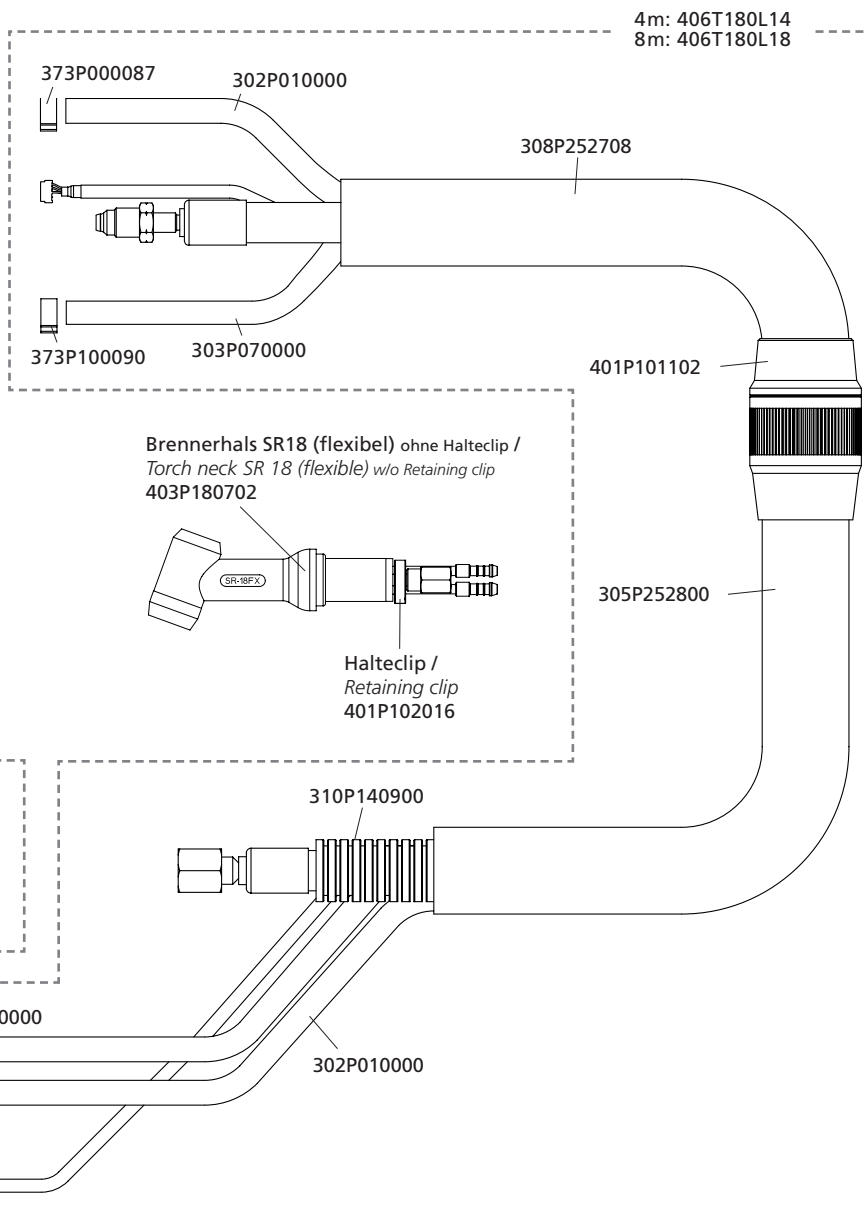


Up/Down-Modul /
Up/down modul
406P101032

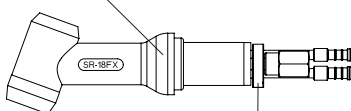
Brennerhals SR 18 ohne Halteclip /
Torch neck SR 18 w/o Retaining clip
405P180702



Halteclip /
Retaining clip
401P102016

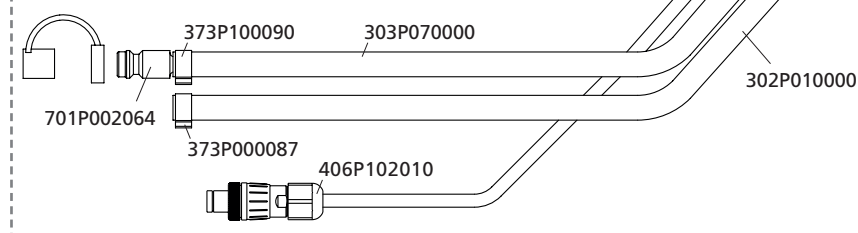
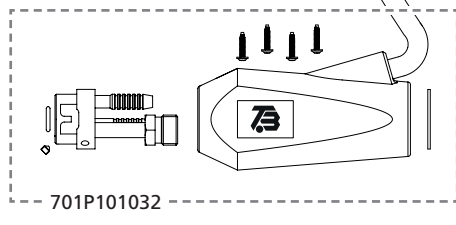


Brennerhals SR18 (flexibel) ohne Halteclip /
Torch neck SR 18 (flexible) w/o Retaining clip
403P180702



Halteclip /
Retaining clip
401P102016

701P002064 303P070000
373P100090



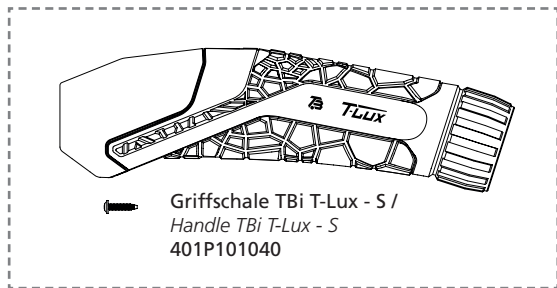


Tbi Industries

TBi SR 21 (FX) T-Lux Any1

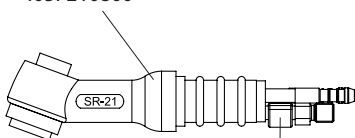
Kühlart / Cooling method	Belastbarkeit [A] / Rating [A]		Einschaltdauer / Duty cycle (10 min.)	Ø [mm]
	AC	DC		
Wasser / water	240	340	100 %	0.5 - 3.2

Typ / Type	Modul / Modul	Stromanschluss / Power connector	Schlauchpaketlänge / Cable length	Art. Nummer / Part no.
TBi SR 21 T-Lux Any1	Einzeldruck mit Poti / <i>Single trigger with poti</i>	Central gas connector "CGC"	4 m	4P7P021004
TBi SR 21 T-Lux Any1	Einzeldruck mit Poti / <i>Single trigger with poti</i>	Central gas connector "CGC"	8 m	4P7P021008
TBi SR 21 T-Lux Any1	Einzeldruck mit Poti / <i>Single trigger with poti</i>	Central gas connector "CGC"	12 m	4P7P021012
TBi SR 21 T-Lux Any1	Einzeldruck mit Poti / <i>Single trigger with poti</i>	Central gas connector "CGC"	16 m	4P7P021016
TBi SR 21 FX T-Lux Any1	Einzeldruck mit Poti / <i>Single trigger with poti</i>	Central gas connector "CGC"	12 m	4P7PF21004
TBi SR 21 FX T-Lux Any1	Einzeldruck mit Poti / <i>Single trigger with poti</i>	Central gas connector "CGC"	16 m	4P7PF21008



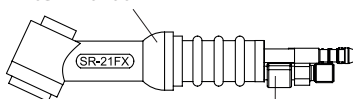
Einzeldruck-Modul mit Poti /
Single trigger modul with poti
401P101065

Brennerhals SR 21 ohne Halteclip /
Torch neck SR 21 w/o Retaining clip
405P210800

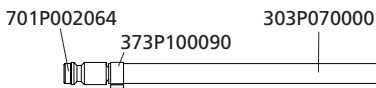


Halteclip /
Retaining clip
401P102015

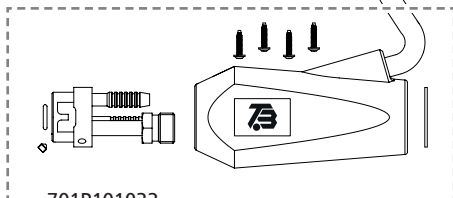
Brennerhals SR21 (flexibel) ohne Halteclip /
Torch neck SR 21 (flexible) w/o Retaining clip
403P210700



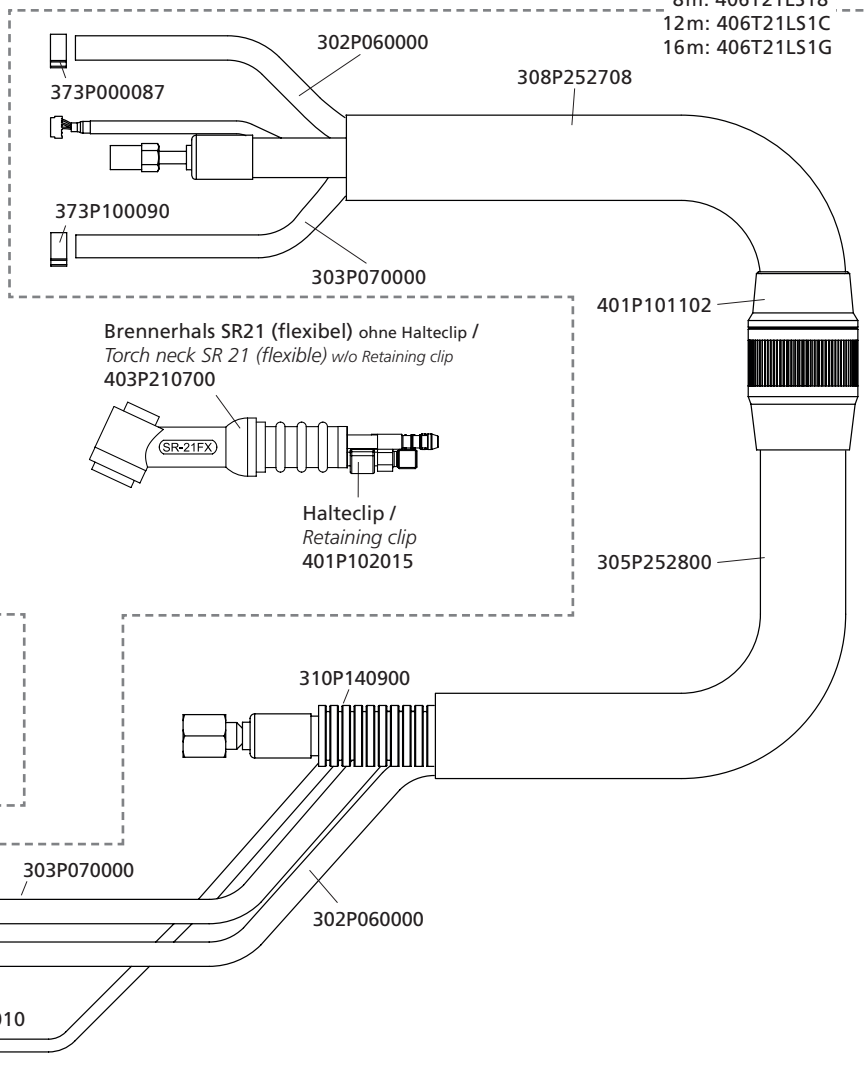
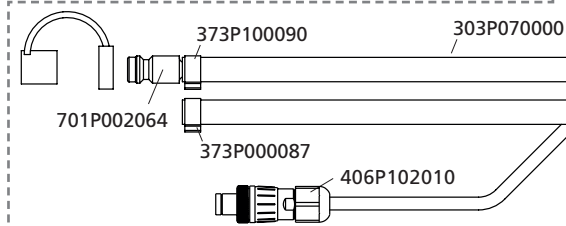
Halteclip /
Retaining clip
401P102015



701P101032



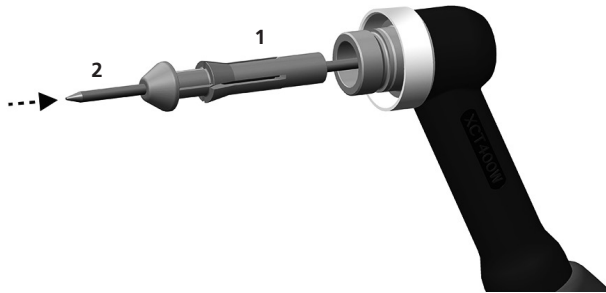
701P002064



**Brenner
ausrüsten**

**Equipping
the torch**

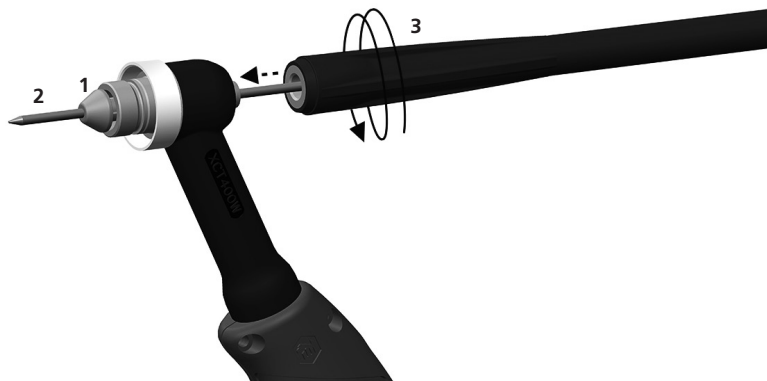
1.



Spannhülse [1],
und Wolfram-elektrode [2]
wie dargestellt zusammen-
stecken.

*Assemble collet [1]
and tungsten elec-
trode [2] as shown.*

2.



Spannhülse [1]
und Wolframelektrode [2]
vorne festhalten, Brennerkappe
[3] aufschrauben und festziehen.

*Hold the collet [1] and tungsten
electrode [2] in
the front, screw on
back cap [3] and
tighten.*

Wichtig!
Ohne Elektrode
Brennerkappe nur
leicht anziehen,
Spannhülse könnte
sonst beschädigt
werden.

Important!
When electrode
is not installed,
tighten the back
cap only very
lightly. Otherwise,
the collet might be
damaged.

3.



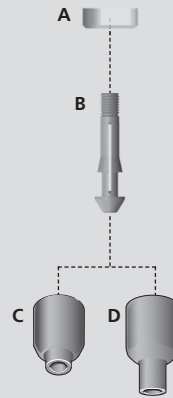
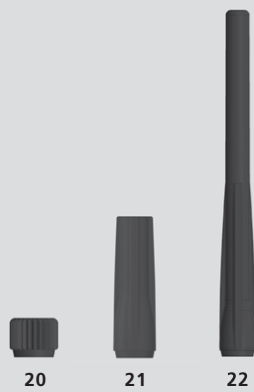
Gasdüse [4] auf
den Brennerkörper
aufschrauben

*Screw the gas
nozzle [4] onto
the torch body*

Wichtig!
Für korrekte Funk-
tion des Brenners
nur Original TBI
Gasdüsen verwen-
den.

Important!
*For the correct
functioning of the
torch, use only
original TBI gas
nozzles.*

**Verschleißteilübersicht für /
Wear parts for
TBi XCT 400W**



Ersatzteile / Spare parts

20	Brennerkappe / Back cap	kurz / short	L = 13 mm	402PX40600
21	Brennerkappe / Back cap	mittel / medium	L = 50 mm	402PX40650
22	Brennerkappe / Back cap	lang / long	L = 145 mm	402PX40700
A	Isolator / Insulator			401PX40700

	Ø 1.6 mm Ø 1/16"	Ø 2.4 mm Ø 3/32"	Ø 3.2 mm Ø 1/8"	Ø 4.0 mm Ø 5/32"
--	---------------------	---------------------	--------------------	---------------------

Spannhülse / Collet

▶ B	L=44.0 mm	- 401PX40501	- 401PX40502	- 401PX40503	- 401PX40504
-----	-----------	-----------------	-----------------	-----------------	-----------------

	No. 4 Ø 6.5 mm Ø 1/4"	No. 5 Ø 8.0 mm Ø 5/16"	No. 6 Ø 9.5 mm Ø 3/8"	No. 7 Ø 11 mm Ø 7/16"	No. 8 Ø 12.5 mm Ø 1/2"	No. 10 Ø 16 mm Ø 5/8"
--	------------------------------------	-------------------------------------	------------------------------------	------------------------------------	-------------------------------------	------------------------------------

Keramische Gasdüsen / Ceramic nozzles

C	L=25.5 mm	53N58 401P201400	53N59 401P201401	53N60 401P201402	53N61 401P201403	53N61S 401P201404	- 401P201409
▶ D	L, L=35.0 mm	53N58L 401P201408	53N59L 401P201405	53N60L 401P201406	53N61L 401P201407	-	- 401P201410

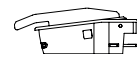
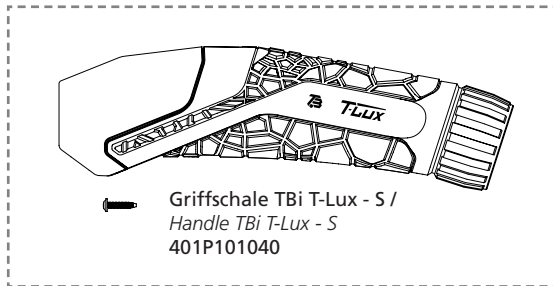


TBI Industries

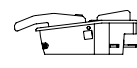
TBi XCT 400 T-Lux Any1

Kühlart / Cooling method	Belastbarkeit [A] / Rating [A]		Einschaltdauer / Duty cycle (10 min.)	Ø [mm]
	AC	DC		
Wasser / water	315	450	100 %	1.6 - 4.0

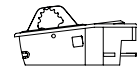
Typ / Type	Stromanschluss / Power connector	Schlauchpaketlänge / Cable length	Art. Nummer / Part no.
TBi XCT 400 T-Lux Any1	Central gas connector "CGC"	4 m	407PXCT004
TBi XCT 400 T-Lux Any1	Central gas connector "CGC"	8 m	407PXCT008



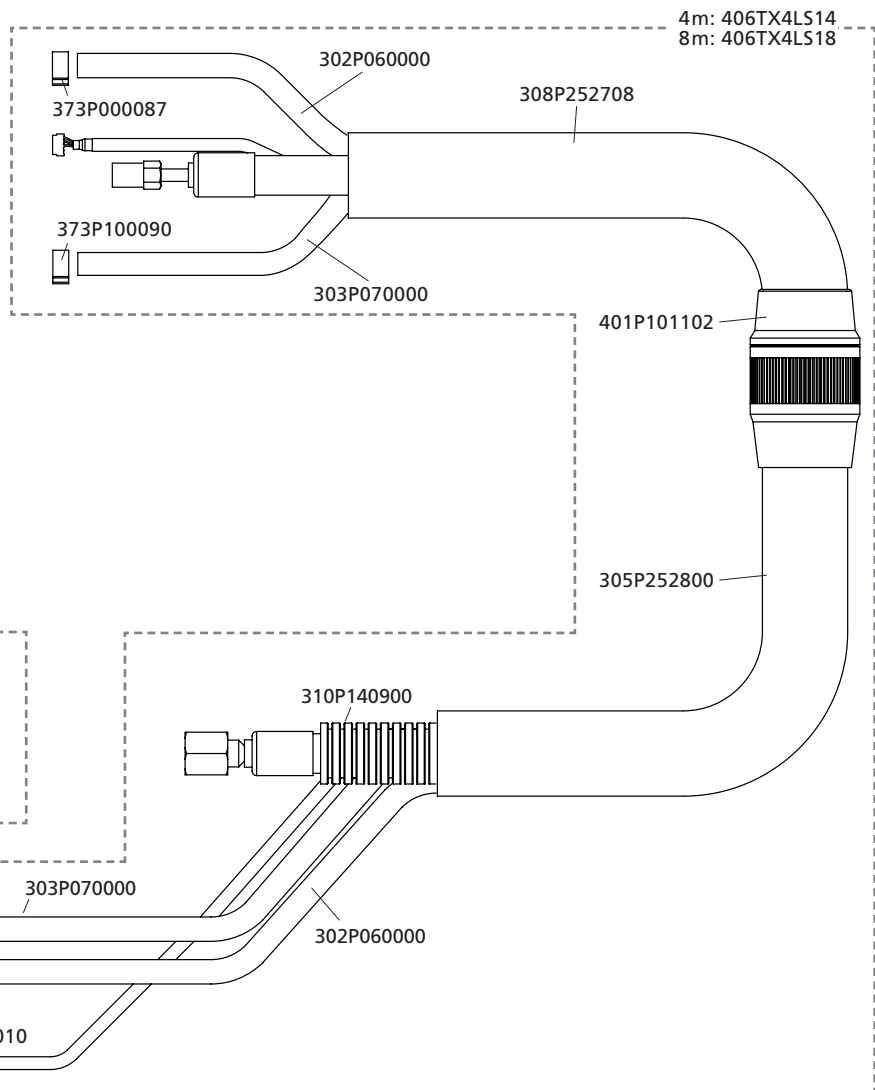
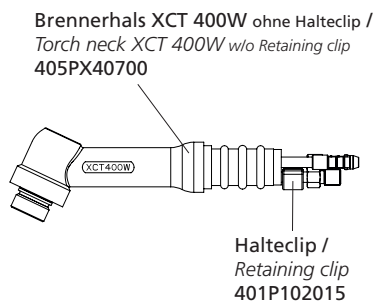
Einzeldruck-Modul /
Single trigger modul
406P101030



Doppeldruck-Modul /
Double trigger modul
406P101031



Up/Down-Modul /
Up/down modul
406P101032



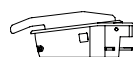
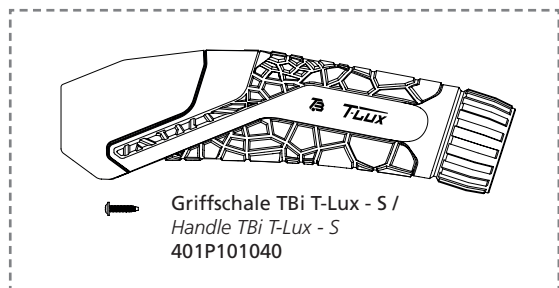


TBI Industries

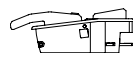
TBi TM250 T-Lux Any1

Kühlart / Cooling method	Brennerkopf / Torchhead	Belastbarkeit [A] / Rating [A]		Einschaltdauer / Duty cycle (10 min.)	Ø [mm]
		AC	DC		
Wasser / water	TM 9/20	160	220	100 %	0.5 - 3.2
Wasser / water	TM 17/18/26	225	320	100 %	0.5 - 4.0

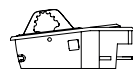
Typ / Type	Stromanschluss / Power connector	Schlauchpaketlänge / Cable length	Art. Nummer / Part no.
TBi TM250 T-Lux Any1	Central gas connector "CGC"	4 m	407P250004
TBi TM250 T-Lux Any1	Central gas connector "CGC"	8 m	407P250008
TBi TM250 T-Lux Any1	Central gas connector "CGC"	12 m	407P250012
TBi TM250 T-Lux Any1	Central gas connector "CGC"	16 m	407P250016



Einzeldruck-Modul /
Single trigger modul
406P101030

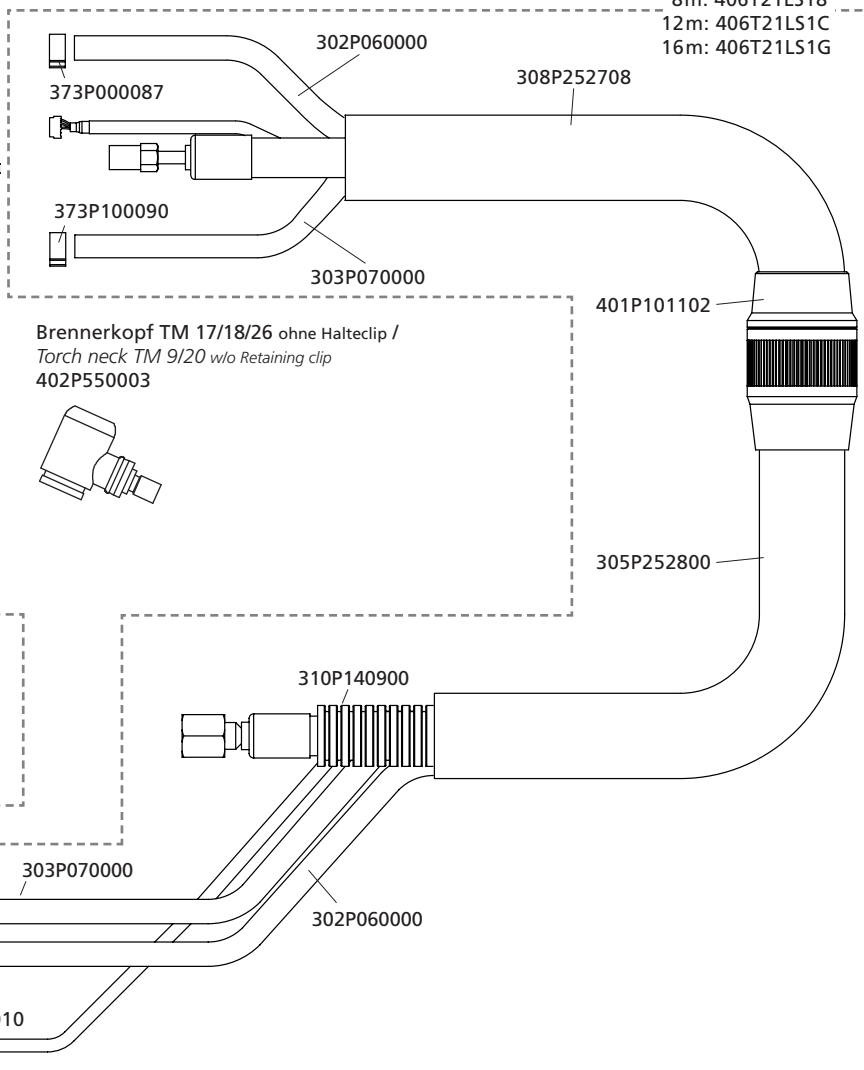
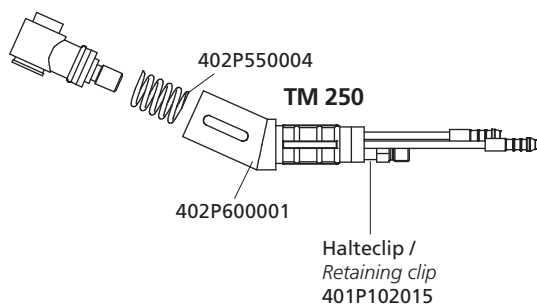


Doppeldruck-Modul /
Double trigger modul
406P101031

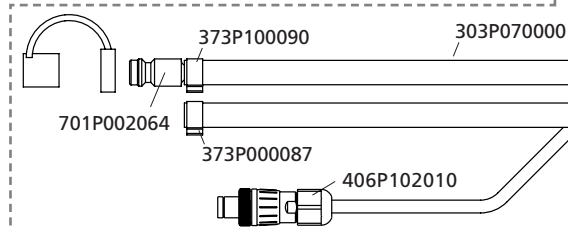
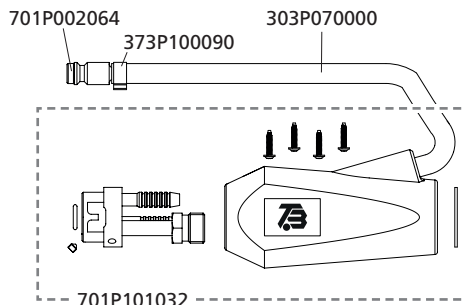
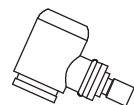


Up/Down-Modul /
Up/down modul
406P101032

Brennerkopf TM 9/20 ohne Halteclip /
Torch neck TM 9/20 w/o Retaining clip
402P550002



Brennerkopf TM 17/18/26 ohne Halteclip /
Torch neck TM 9/20 w/o Retaining clip
402P550003



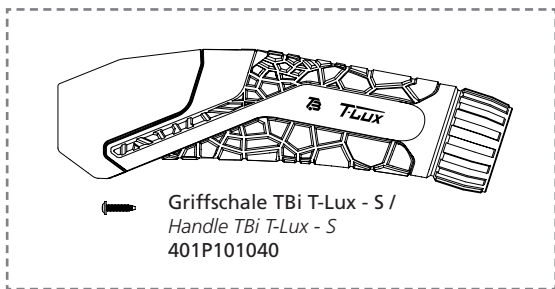


Tbi Industries

TBi TM250 T-Lux Any1

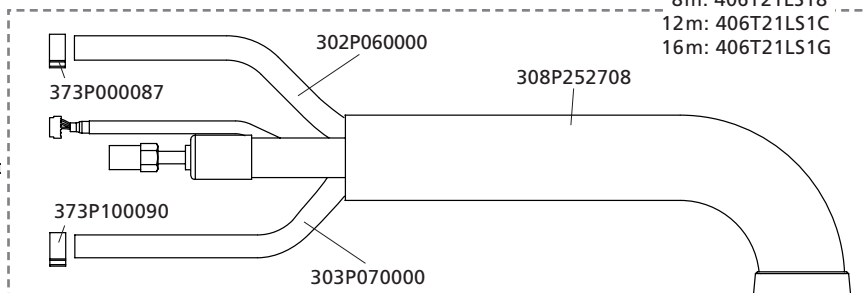
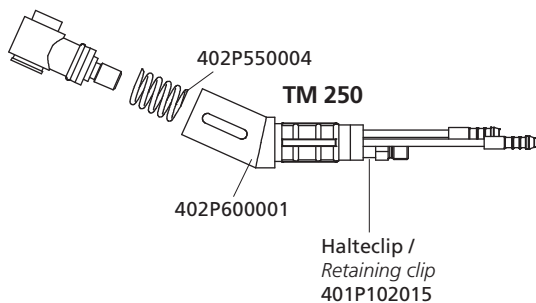
Kühlart / Cooling method	Brennerkopf / Torchhead	Belastbarkeit [A] / Rating [A]		Einschaltdauer / Duty cycle (10 min.)	Ø [mm]
		AC	DC		
Wasser / water	TM 9/20	160	220	100 %	0.5 - 3.2
Wasser / water	TM 17/18/26	225	320	100 %	0.5 - 4.0

Typ / Type	Modul / Modul	Stromanschluss / Power connector	Schlauchpaketlänge / Cable length	Art. Nummer / Part no.
TBi TM250 T-Lux Any1	Einzeldruck mit Poti / Single trigger with poti	Central gas connector "CGC"	4 m	4P7P250004
TBi TM250 T-Lux Any1	Einzeldruck mit Poti / Single trigger with poti	Central gas connector "CGC"	8 m	



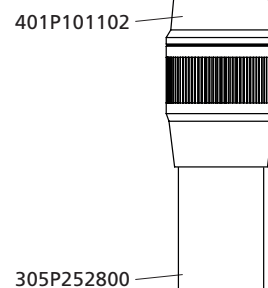
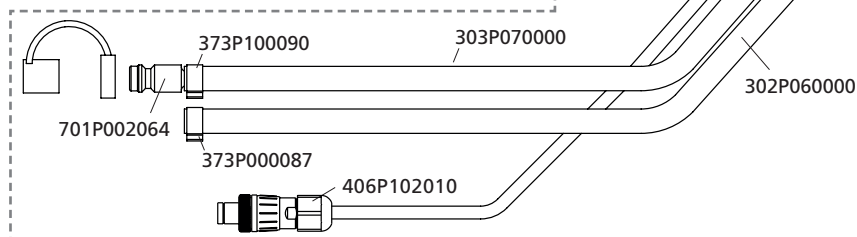
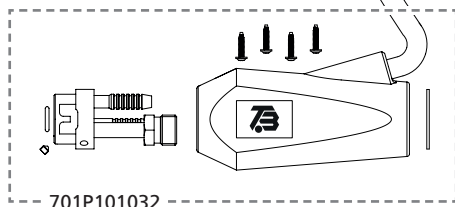
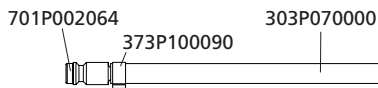
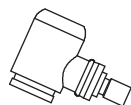
Einzeldruck-Modul mit Poti /
Single trigger modul with poti
401P101065

Brennerkopf TM 9/20 ohne Halteclip /
Torch neck TM 9/20 w/o Retaining clip
402P550002



- 4m: 406T21LS14
- 8m: 406T21LS18
- 12m: 406T21LS1C
- 16m: 406T21LS1G

Brennerkopf TM 17/18/26 ohne Halteclip /
Torch neck TM 9/20 w/o Retaining clip
402P550003



Ready for Tomorrow.